

SMD Magnetic Transducer

SFM-9527G03

Rev.2



FEATURES:

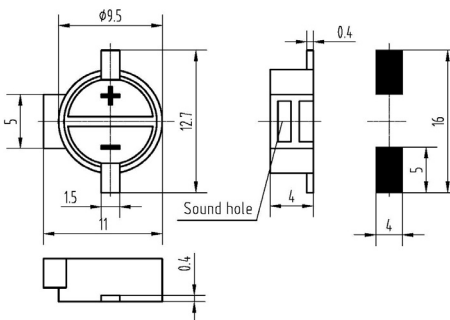
- Low Frequency
- Low Voltage
- Small and slim size

APPLICATIONS:

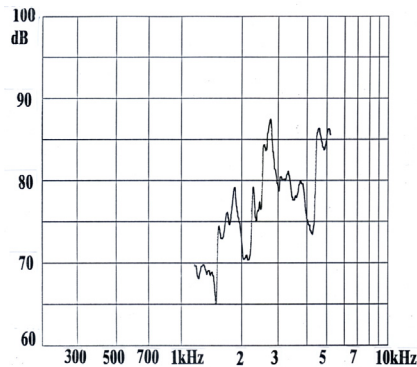
- Automatic Control Equipment
- Communication Equipment
- Electronic Instruments

DIMENSIONS: (Unit: mm)

SFM-TERMINAL RECOMMENDED
VERSION SMD FOOT PATTERN



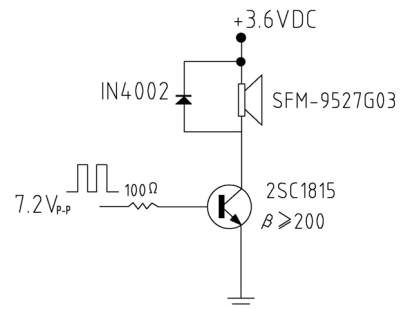
CHARACTERISTICS:



ELECTRICAL SPECIFICATIONS:

Min. Sound Pressure Level at 2731Hz/3.6V/10cm.....	85dB(Typ.90)
Rated Voltage.....	3.6V
Operating Voltage.....	1.5~4.5V
Max. Consumption at 2731Hz/7.2Vp-p Square Wave.....	85mA/3.6V _{DC}
Resonant Frequency.....	2731Hz
Coil Resistance.....	6.5±2Ω
Storage Temperature.....	-20~+80°C
Housing Material/Colour.....	PPS/Black
Weight.....	0.8g

TEST CIRCUITS:



PACKING INFORMATION:

Packing: 3000 pcs per export carton
 Carton Size: 47×25×27cm
 G. Weight: 4.0 kgs N. Weight: 2.4kgs
 Address: Multitrack GmbH, Pfaffenrain 22, 35606 Solms, Germany
 Tel: +49-6442-9220950, Fax: +49-3212-1258768

