

SMD Magnetic Transducer

RoHS
Compliant

SFM-9527G01A

Rev.2



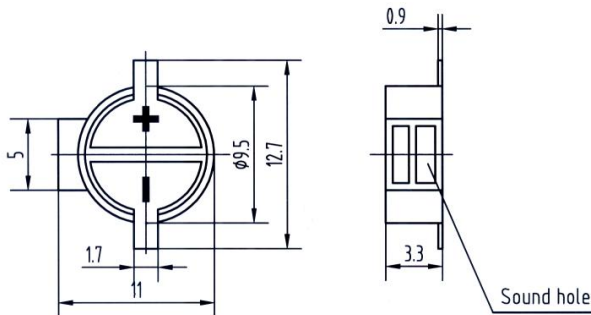
FEATURES:

- Low Frequency
- Low Voltage
- Small and slim size

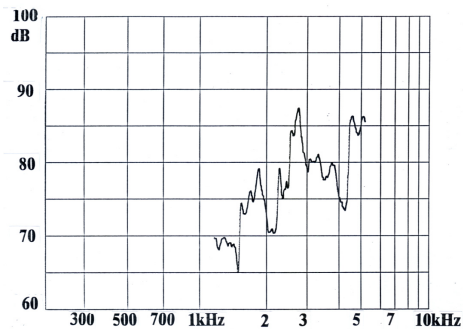
APPLICATIONS:

- Automatic Control Equipment
- Communication Equipment
- Electronic Instruments

DIMENSIONS: (Unit: mm)



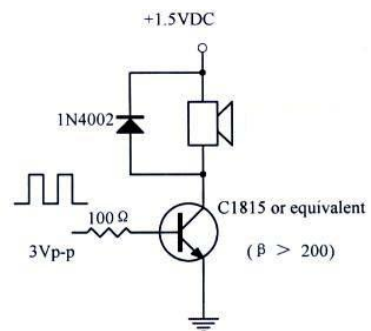
CHARACTERISTICS:



ELECTRICAL SPECIFICATIONS:

Min. Sound Pressure Level at 2700Hz /1.5V /10cm.....	80dB(A)
Rated Voltage.....	1.5V
Operating Voltage.....	1~2V
Max. Consumption at 2700Hz/3Vp-p Square Wave.....	80mA/1.5V _{DC}
Resonant Frequency.....	2700Hz
Coil Resistance.....	16±3Ω
Operating Temperature.....	-20~+60°C
Storage Temperature.....	-30~+70°C
Housing Material.....	PA46/Black
Weight.....	1g

TEST CIRCUIT:



PACKING INFORMATION:

Packing: 2000 pcs per export carton
 Carton Size: 35×26×26 cm
 G. Weight: 2.4 kgs N. Weight: 2.0 kgs
 Address: Multitrack GmbH, Pfaffenrain 22, 35606 Solms, Germany
 Tel: +49-6442-9220950, Fax: +49-3212-1258768

