



SMD Magnetic Transducer

SFM-9527G01



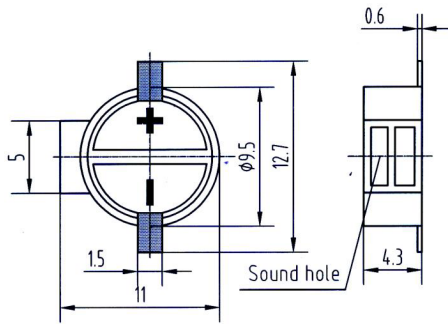
FEATURES:

- Low Frequency
- Low Voltage
- Small and slim size

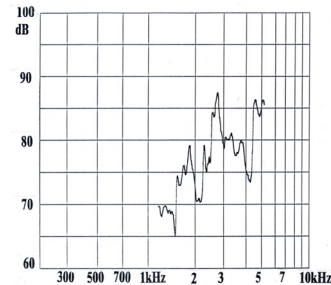
APPLICATIONS:

- Automatic Control Equipment
- Communication Equipment
- Electronic Instruments

DIMENSIONS: (Unit: mm)



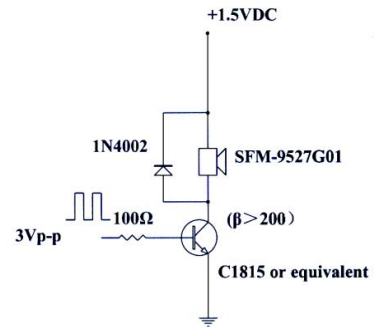
CHARACTERISTICS:



ELECTRICAL SPECIFICATIONS:

- Min. Sound Pressure Level at
 2731Hz/ 1.5V Square Wave /10cm.....80dB(A)
 Rated Voltage.....1.5V
 Operating Voltage..... 1~2V
 Max. Consumption at
 2731Hz/3Vp-p Square Wave.....80mA/1.5V_{DC}
 Resonant Frequency..... 2731Hz
 Coil Resistance..... 5.5±2Ω
 Operating Temperature..... -20~+80°C
 Weight..... 0.8g

TEST CIRCUITS:



PACKING INFORMATION:

Packing: 2000 pcs per export carton
 Carton Size: 35× 26× 26cm
 G. Weight: 3.5 kgs N. Weight: 2.0 kgs
 Address: Multitrack GmbH, Pfaffenrain 22, 35606 Solms, Germany
 Tel: +49-6442-9220950, Fax: +49-3212-1258768

