



SMD Magnetic Transducer

SFM-9027G05

Rev.2



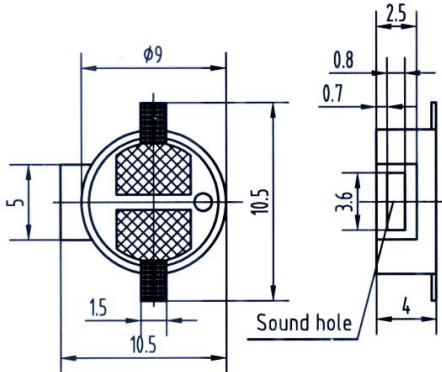
FEATURES:

- Low Frequency
- Low Voltage
- Small and slim size

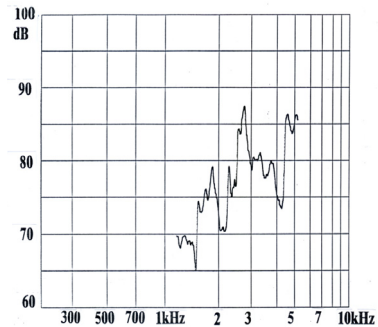
APPLICATIONS:

- Automatic Control Equipment
- Communication Equipment
- Electronic Instruments

DIMENSIONS: (Unit: mm)



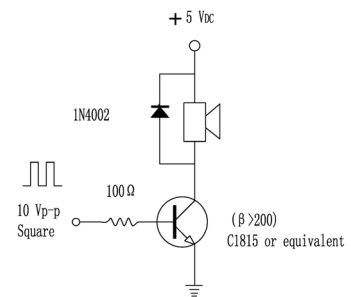
CHARACTERISTICS:



ELECTRICAL SPECIFICATIONS:

Min. Sound Pressure Level at 2730Hz/5V Square Wave/10cm.....	85dB(Typ.90)
Rated Voltage.....	5V
Operating Voltage.....	4~6V
Max. Consumption at 2730Hz/10Vp-p Square Wave.....	80mA/5V _{DC}
Resonant Frequency.....	2730Hz
Coil Resistance.....	30±3Ω
Storage Temperature.....	-40~+85°C
Operating Temperature.....	-40~+85°C
Housing Material.....	LCP
Weight.....	0.7g

TEST CIRCUITS:



PACKING INFORMATION:

Packing: 2000 pcs per export carton
 Carton Size: 35×26×26 cm
 G. Weight: 2.4 kgs N. Weight: 2.0 kgs
 Address: Multitrack GmbH, Pfaffenrain 22, 35606 Solms, Germany
 Tel: +49-6442-9220950, Fax: +49-3212-1258768

