



SMD Magnetic Transducer



SFM-9027G03

Rev.2



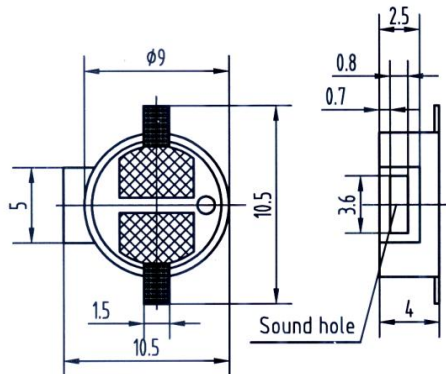
FEATURES:

- Low Frequency
- Low Voltage
- Small and slim size

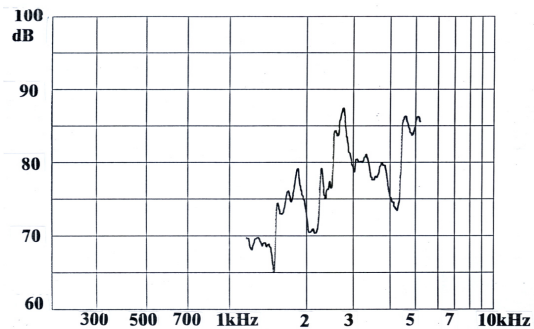
APPLICATIONS:

- Automatic Control Equipment
- Communication Equipment
- Electronic Instruments

DIMENSIONS: (Unit: mm)



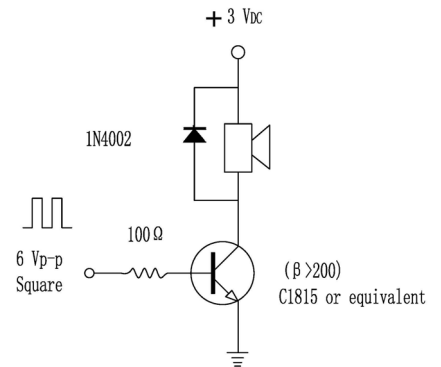
CHARACTERISTICS:



ELECTRICAL SPECIFICATIONS:

- Min. Sound Pressure Level at 2730Hz/3V Square Wave/10cm.....85dB(Typ.90)
- Rated Voltage.....3V
- Operating Voltage.....2~4V
- Max. Consumption at 2730Hz/6Vp-p Square Wave.....80mA/3V_{DC}
- Resonant Frequency.....2730Hz
- Coil Resistance.....16±3Ω
- Storage Temperature.....-40~+85°C
- Operating Temperature.....-40~+85°C
- Housing Material.....LCP
- Weight.....0.7g

TEST CIRCUITS:



PACKING INFORMATION:

Packing: 2000 pcs per export carton
 Carton Size: 35×26×26 cm
 G. Weight: 2.4 kgs N. Weight: 2.0 kgs
 Address: Multitrack GmbH, Pfaffenrain 22, 35606 Solms, Germany
 Tel: +49-6442-9220950, Fax: +49-3212-1258768

