

SMD Magnetic Transducer

RoHS
Compliant

SFM-9027G01

Rev.2



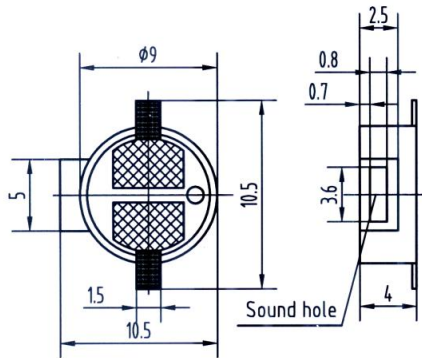
FEATURES:

- Low Frequency
- Low Voltage
- Small and slim size

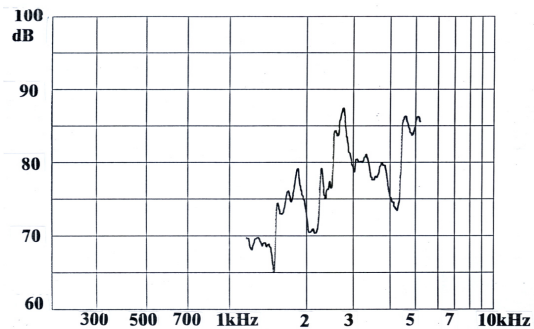
APPLICATIONS:

- Automatic Control Equipment
- Communication Equipment
- Electronic Instruments

DIMENSIONS: (Unit: mm)



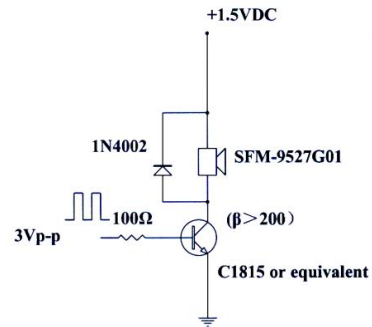
CHARACTERISTICS:



ELECTRICAL SPECIFICATIONS:

Min. Sound Pressure Level at 2730Hz/1.5V Square Wave/10cm.....	85dB(Typ.87)
Rated Voltage.....	1.5V
Operating Voltage.....	1~2V
Max. Consumption at 2730Hz/3Vp-p Square Wave.....	80mA/1.5V _{DC}
Resonant Frequency.....	2730Hz
Coil Resistance.....	6±2Ω
Operating Temperature.....	-40~+85°C
Storage Temperature.....	-40~+85°C
Housing Material.....	LCP
Weight.....	0.7g

TEST CIRCUITS:



PACKING INFORMATION:

Packing: 2000 pcs per export carton
 Carton Size: 35×26×26 cm
 G. Weight: 2.4 kgs N. Weight: 2.0 kgs
 Address: Multitrack GmbH, Pfaffenrain 22, 35606 Solms, Germany
 Tel: +49-6442-9220950, Fax: +49-3212-1258768

