

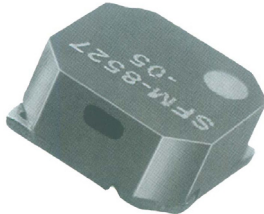


RoHS
Compliant

SMD Magnetic Transducer

SFM-8527-05

Rev.2



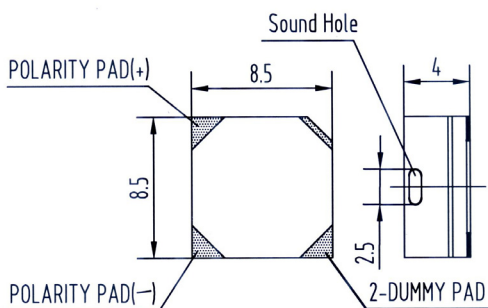
FEATURES:

- Low Frequency
- Low Voltage
- Small and slim size

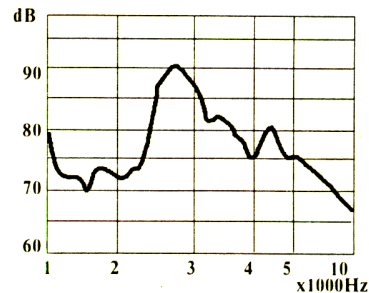
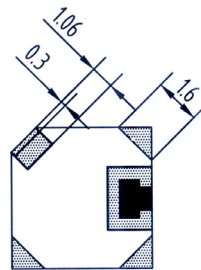
APPLICATIONS:

- Automatic Control Equipment
- Communication Equipment
- Electronic Instruments

DIMENSIONS: (Unit: mm)



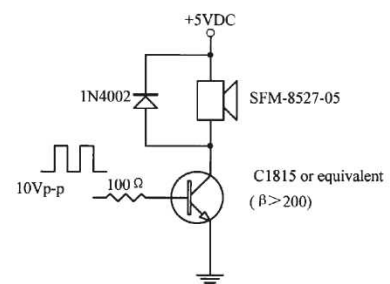
CHARACTERISTICS:



ELECTRICAL SPECIFICATIONS:

Min. Sound Pressure Level at 2730Hz/ 5V Square Wave /10cm.....	85dB (A)
Rated Voltage.....	5V
Operating Voltage.....	4~6V
Max. Consumption at 2730Hz/10Vp-p Square Wave.....	100mA/5V _{DC}
Resonant Frequency.....	2730Hz
DC Resistance.....	30±5Ω
Operating Temperature.....	-30~+85°C
Weight.....	1g

TEST CIRCUITS:



PACKING INFORMATION:

Packing: 5000 pcs per export carton
 Carton Size: 47 × 30.5 × 25 cm
 G. Weight: 6.5 kgs N. Weight: 5.0 kgs
 Address: Multitrack GmbH, Pfaffenrain 22, 35606 Solms, Germany
 Tel: +49-6442-9220950, Fax: +49-3212-1258768

