

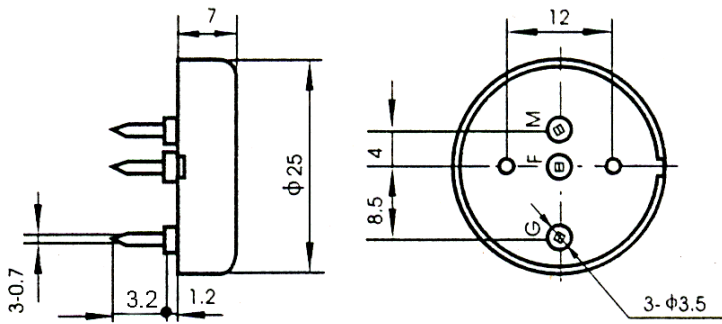


## Self-driven Piezo Transducer

### TFM-14D



**DIMENSIONS:** (Unit: mm)



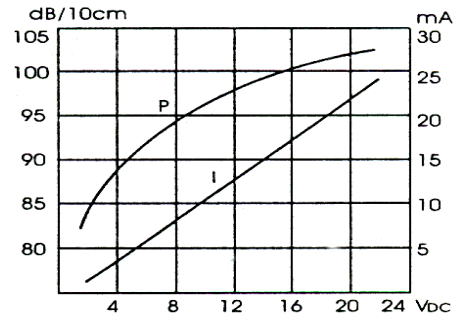
**Rev.2**  
**FEATURES:**

- Clear Sound
- Low Current Drain
- Light and compact

**APPLICATIONS:**

- Automatic Control Equipment
- Communication Equipment
- Electronic Instruments

**CHARACTERISTICS:**

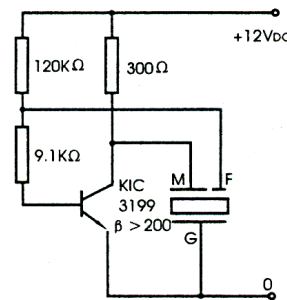


**ELECTRICAL SPECIFICATIONS:**

Min. Sound Pressure Level at

12V <sub>DC</sub> /10cm.....	86dB
Rated Voltage.....	12V <sub>DC</sub>
Operating Voltage.....	3~24V <sub>DC</sub>
Max. Consumption.....	18mA/12V <sub>DC</sub>
Oscillating Frequency.....	3.5±0.5kHz
Operating Temperature.....	-20~+85°C
Case Material/Color.....	PA66/White
Weight.....	3.0g

**TEST CIRCUIT:**



**PACKING INFORMATION:**

Packing: 2000pcs per export carton  
 Carton Size: 47×30.5×35 cm  
 G.Weight: 7.5 kgs    N. Weight: 6.0 kgs  
 Address: Multitrack GmbH, Pfaffenrain 22, 35606 Solms, Germany  
 Tel: +49-6442-9220950, Fax: +49-3212-1258768

