

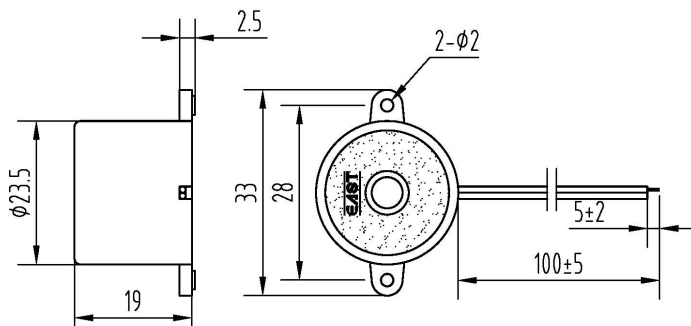


### Piezo Buzzer

## SL11-48L



**DIMENSIONS:** (Unit: mm)



### ELECTRICAL SPECIFICATIONS:

Min. Sound Pressure Level at

48V <sub>DC</sub> /30cm.....	88dB
Rated Voltage.....	48V <sub>DC</sub>
Operating Voltage.....	38~58V <sub>DC</sub>
Max. Consumption.....	18mA/48V <sub>DC</sub>
Oscillating Frequency.....	3.3±0.5kHz
Operating Temperature.....	-20~+70°C
Case Material/Color.....	ABS/Black
Weight.....	8g

### PACKING INFORMATION:

Packing: 2000 pcs per export carton

Carton Size: 47×30.5×25 cm

G. Weight: 17.5 kgs N. Weight: 16.0 kgs

Address: Multitrack GmbH, Pfaffenrain 22, 35606 Solms, Germany

Tel: +49-6442-9220950, Fax: +49-3212-1258768

RoHS  
Compliant

Rev.3

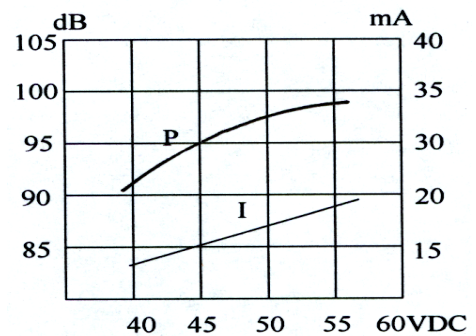
### FEATURES:

- High Output
- High Efficiency
- High Voltage

### APPLICATIONS:

- Automatic Control Equipment
- Communication Equipment
- Electronic Instruments

### CHARACTERISTICS:



REVISION HISTORY				
REV	DESCRIPTION	ISSUED BY/DATE	CHECKED	APPROVED
2	RELEASE	WEN GUANGJUN May 14, 2008	ZHANGCHUNLEI	WANGJIANCHENG
3	Add "EAST" marking	WEN GUANGJUN July 8, 2009	ZHANGCHUNLEI	WANGJIANCHENG