



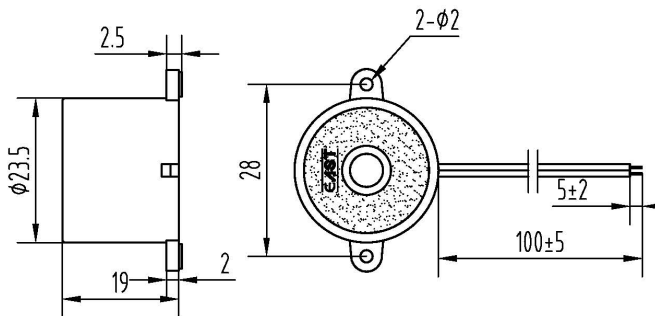
Rev.3

Piezo Buzzer

SL11-24L



DIMENSIONS:(Unit: mm)



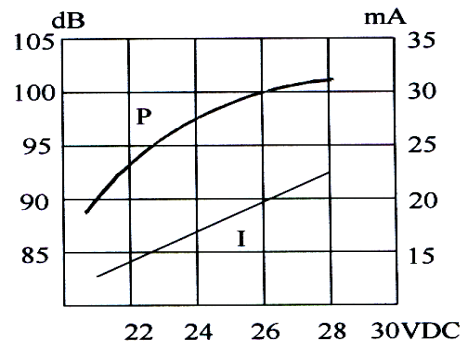
FEATURES:

- High Output
- High Efficiency
- High Voltage

APPLICATIONS:

- Automatic Control Equipment
- Communication Equipment
- Electronic Instruments

CHARACTERISTICS:



ELECTRICAL SPECIFICATIONS:

Min. Sound Pressure Level at

24V _{DC} /30cm.....	90dB
Rated Voltage.....	24V _{DC}
Operating Voltage.....	18~28V _{DC}
Max. Consumption.....	20mA/24V _{DC}
Oscillating Frequency.....	3.4±0.5kHz
Operating Temperature.....	-20~+70°C
Case Material/Color.....	ABS/Black
Weight.....	8g

PACKING INFORMATION:

Packing: 2000 pcs per export carton

Carton Size: 47x.30.5x.25 cm

G. Weight: 17.5 kgs N. Weight: 16.0 kgs

Address: Multitrack GmbH, Pfaffenrain 22, 35606 Solms, Germany

Tel: +49-6442-9220950, Fax: +49-3212-1258768



REVISION HISTORY				
REV	DESCRIPTION	ISSUED BY/DATE	CHECKED	APPROVED
2	RELEASE	WEN GUANGJUN May 14, 2008	ZHANGCHUNLEI	WANGJIANCHENG
3	Add "EAST" marking	WEN GUANGJUN July 7, 2009	ZHANGCHUNLEI	WANGJIANCHENG