



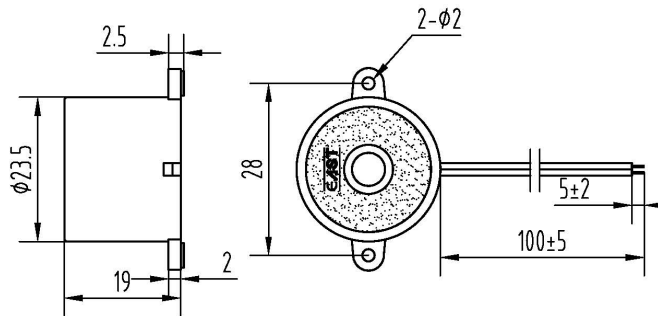
Piezo Buzzer

SL11-12(03.06.09)L

Rev.2



DIMENSIONS:(Unit: mm)



FEATURES:

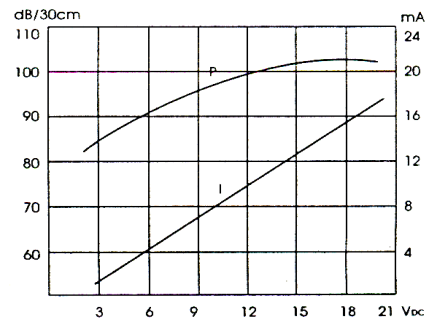
- High Output
- High Efficiency
- Long Life

APPLICATIONS:

- Automatic Control Equipment
- Communication Equipment
- Electronic Instruments

CHARACTERISTICS:

SL11-12L



ELECTRICAL SPECIFICATIONS:

Model No.	SL11-03L	SL11-06L	SL11-09L	SL11-12L
Min. Sound Pressure Level (dB)	80/3V _{DC} /30cm	83/6V _{DC} /30cm	85/9V _{DC} /30cm	88/12V _{DC} /30cm
Rated Voltage (V _{DC})	3	6	9	12
Operating Voltage (V _{DC})	1~5	4.5~9	6~12	9~15
Max. Consumption (mA)	25/3V _{DC}	15/6V _{DC}	15/9V _{DC}	15/12V _{DC}
Oscillating Frequency (kHz)	3.3±0.5			
Operating Temperature (°C)	-20~+70			
Case Material/Color	ABS/Black			
Weight (g)	8			

PACKING INFORMATION:

Packing: 2000 pcs per export carton

Carton Size: 47x.30.5x.25 cm

G. Weight: 17.5 kgs N. Weight: 16.0 kgs

Address: Multitrack GmbH, Pfaffenrain 22, 35606 Solms, Germany

Tel: +49-6442-9220950, Fax: +49-3212-1258768



REVISION HISTORY				
REV	DESCRIPTION	ISSUED BY/DATE	CHECKED	APPROVED
1	RELEASE	WEN GUANGJUN May 14, 2008	ZHANGCHUNLEI	WANGJIANCHENG
2	Add "EAST" marking	WEN GUANGJUN July 7, 2009	ZHANGCHUNLEI	WANGJIANCHENG