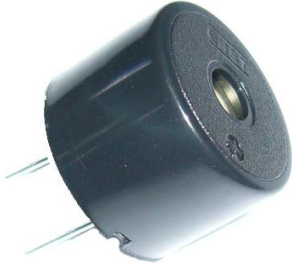




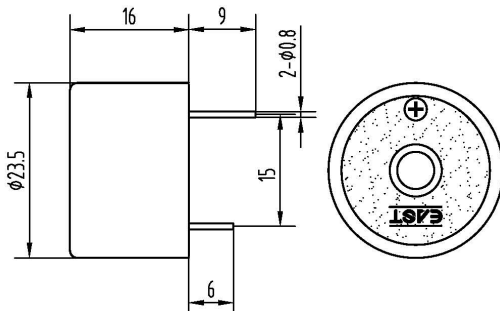
Rev.3

Piezo Buzzer

SL11-12HP



DIMENSIONS:(Unit: mm)



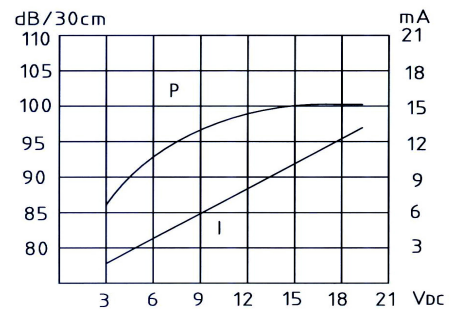
FEATURES:

- High Output
- High Efficiency
- Long Life

APPLICATIONS:

- Automatic Control Equipment
- Communication Equipment
- Electronic Instruments

CHARACTERISTICS:



ELECTRICAL SPECIFICATIONS:

Min. Sound Pressure Level at

12V _{DC} /30cm.....	91dB
Rated Voltage.....	12V _{DC}
Operating Voltage.....	3~20V _{DC}
Max. Consumption.....	10mA/12V _{DC}
Oscillating Frequency.....	3.7±0.5kHz
Operating Temperature.....	-20~+70°C
Case Material/Color.....	ABS/Black
Weight.....	6g

PACKING INFORMATION:

Packing: 1600 pcs per export carton

Carton Size: 47x30.5x33cm

G. Weight: 11.3 kgs N. Weight: 9.5 kgs

Address: Multitrack GmbH, Pfaffenrain 22, 35606 Solms, Germany

Tel: +49-6442-9220950, Fax: +49-3212-1258768



REVISION HISTORY				
REV	DESCRIPTION	ISSUED BY/DATE	CHECKED	APPROVED
2	RELEASE	JINYOU LIANG May 21, 2008	ZHANGCHUNLEI	WANGJIANCHENG
3	Add "EAST" marking	WEN GUANGJUN July 9, 2009	ZHANGCHUNLEI	WANGJIANCHENG