



### Piezo Buzzer



## FM-24D-900 SERIES

#### FEATURES:

Rev.2

- High Output
- High Reliability
- High Voltage

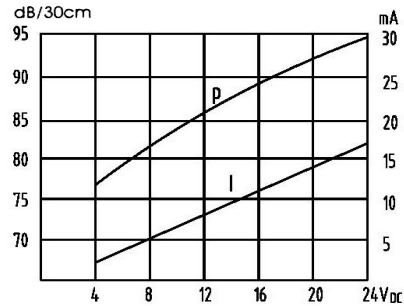
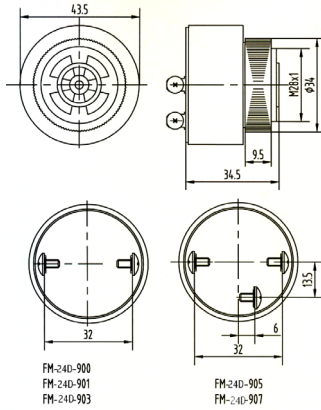
#### APPLICATIONS:

- Automatic Control Equipment
- Communication Equipment
- Electronic Instruments

#### CHARACTERISTICS:



#### DIMENSIONS:( Unit: mm)



#### ELECTRICAL SPECIFICATIONS:

Model No.	FM-24D-900	FM-24D-901	FM-24D-903	FM-24D-905	FM-24D-907
Min. Sound Pressure Level (dB)	85	80			
	/24V <sub>DC</sub> /30cm	/24V <sub>DC</sub> /30cm			
Rated Voltage (V <sub>DC</sub> )	24				
Operating Voltage (V <sub>DC</sub> )	4~ 28				
Max. Consumption (mA)	22/28V <sub>DC</sub>				
Oscillating Frequency (kHz)	2.9±0.5				
Tone Nature	Continuous	Fast Pulse	Slow Pulse	Continuous + Fast Pulse	Continuous + Slow Pulse
Operating Temperature (°C)	-20~ +70				
Case Material/Color	ABS/Black				
Weight (g)	35				

Note: 1. Slow Pulse  $f_s=1.0\text{Hz}\pm 20\%$ , Fast Pulse  $f_F=5.0\text{Hz}$  2. This series are epoxy-potting type.

#### PACKING INFORMATION:

Packing: 200 pcs per export carton

Carton Size: 47x 30.5x31 cm

G. Weight: 8.5 kgs N. Weight: 7.0 kgs

Address: Multitrack GmbH, Pfaffenrain 22, 35606 Solms, Germany

Tel: +49-6442-9220950, Fax: +49-3212-125876

