

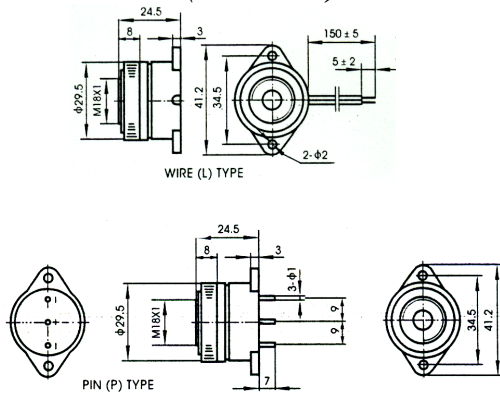


### Piezo Buzzer

## FM-24C-900 SERIES



#### DIMENSIONS: (Unit: mm)



#### FEATURES:

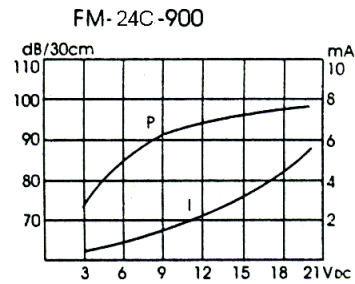
- High Output
- High Reliability
- High Voltage

Rev.2

#### APPLICATIONS:

- Automatic Control Equipment
- Communication Equipment
- Electronic Instruments

#### CHARACTERISTICS:



#### ELECTRICAL SPECIFICATIONS:

Model No.	FM-24C-900L/P	FM-24C-901L/P	FM-24C-903L/P	FM-24C-9005L/P	FM-24C-907L/P
Min. Sound Pressure Level (dB)	92 /24V <sub>DC</sub> /100cm				
Rated Voltage (V <sub>DC</sub> )	24				
Operating Voltage (V <sub>DC</sub> )	12~ 28				
Max. Consumption (mA)	20/24V <sub>DC</sub>				
Oscillating Frequency (kHz)	3.7±0.5				
Tone Nature	Continuous	Fast Pulse	Slow Pulse	Continuous + Fast Pulse	Continuous + Slow Pulse
Operating Temperature (°C)	-20~ +70				
Case Material/Color	ABS/Black				
Weight (g)	13				

Note: Slow Pulse  $f_s=1.6\text{Hz}\pm 20\%$ , Fast Pulse  $f_f=3.3\text{Hz}\pm 20\%$

#### PACKING INFORMATION:

	P TYPE	L TYPE
Packing:	630	1100 pcs per export carton
G. Weight:	8.2	15.8 kgs
N. Weight:	9.7	14.3 kgs
Carton Size:	47×30.5×19	47×30.5×25 cm

Address: Multitrack GmbH, Pfaffenrain 22, 35606 Solms, Germany  
Tel: +49-6442-9220950, Fax: +49-3212-125876

