

*Piezo Buzzer***FM-24A-907A**

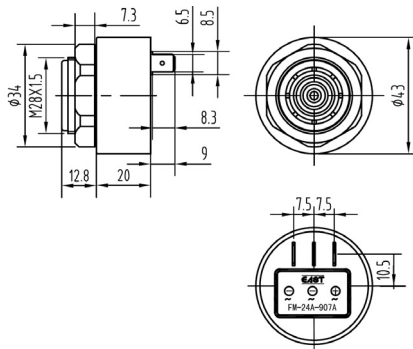
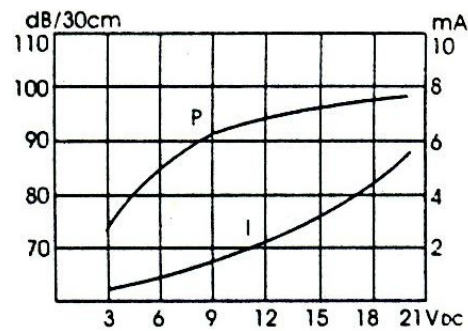
Rev.2

**FEATURES:**

- High Output
- High reliability
- AC/DC Voltage

**APPLICATIONS:**

- Automatic Control Equipment
- Communication Equipment
- Electronic Instruments

**DIMENSIONS: (Unit: mm)****CHARACTERISTICS:****ELECTRICAL SPECIFICATIONS:**

Min. Sound Pressure Level at

12V<sub>DC</sub>/30cm.....90dB(A)12V<sub>AC</sub> (50Hz)/30cm.....90dB(A)Rated Voltage.....12V<sub>AC/DC</sub>Operating Voltage.....6~28V<sub>AC/DC</sub>Max. Consumption.....18mA/12V<sub>AC</sub>Max. Consumption.....18mA/12V<sub>DC</sub>

Oscillating Frequency.....2.9±0.5kHz

Tone Nature.....Continuous + Fast Pulse

Operating Temperature.....-20~+70°C

Case Material/Color.....ABS/Black

Weight.....35g

Fast Pulse (Ff=3.0Hz±20%)at 12V<sub>AC</sub> Fast Pulse (Ff=2.0Hz±20%)at 12V<sub>DC</sub>**PACKING INFORMATION:**

Packing: 200 pcs per export carton

Carton Size: 47×30.5×31 cm

G. Weight: 8.5 kgs N. Weight: 7 kgs

Address: Multitrack GmbH, Pfaffenrain 22, 35606 Solms, Germany

Tel: +49-6442-9220950, Fax: +49-3212-1258768

