



Piezo Buzzer

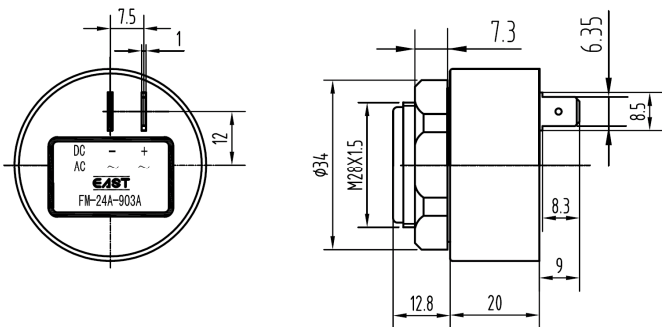
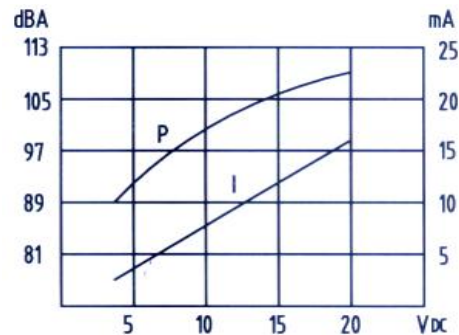
FM-24A-903A

**FEATURES:****Rev.2**

- High Output
- Sealed Type
- High Reliability

APPLICATIONS:

- Automatic Control Equipment
- Communication Equipment
- Electronic Instruments

DIMENSIONS:(Unit: mm)**CHARACTERISTICS:****ELECTRICAL SPECIFICATIONS:****Min. Sound Pressure Level at**12V_{DC}/30cm.....90dB12V_{AC}(50Hz)/30cm.....90dBRated Voltage..... 12V_{DC(AC)}Operating Voltage.....8~16V_{DC(AC)}Max. Consumption.....10mA/12V_{DC (AC)}

Oscillating Frequency.....2.9±0.5kHz

Tone Nature.....Slow Pulse (1.6± 20%)

Operating Temperature.....-20~+70°C

Case Material/Color.....Fire-resistance ABS/Black

Weight.....35g

PACKING INFORMATION:

Packing: 200 pcs per export carton

Carton Size: 47×30.5×31 cm

G. Weight: 8.5 kgs N. Weight: 7.0 kgs

Address: Multitrack GmbH, Pfaffenrain 22, 35606 Solms, Germany

Tel: +49-6442-9220950, Fax: +49-3212-1258768

