



### Piezo Buzzer



Rev.2

## FM-220A-900 SERIES



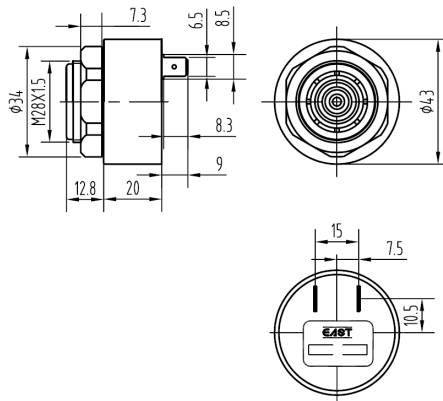
#### FEATURES:

- High Output
- High Reliability
- High Voltage

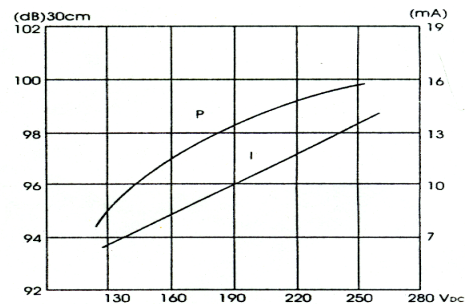
#### APPLICATIONS:

- Automatic Control Equipment
- Communication Equipment
- Electronic Instruments

#### DIMENSIONS:( Unit: mm)



#### CHARACTERISTICS:



#### ELECTRICAL SPECIFICATIONS:

Model No.	FM-220A-900	FM-220A-901	FM-220A-903
Min. Sound Pressure Level (dB)	85/220V <sub>AC</sub> /30cm		
Rated Voltage (V <sub>AC</sub> )	220		
Operating Voltage (V <sub>AC</sub> )	110~220		
Max. Consumption (mA)	20/220V <sub>AC</sub>		
Oscillating Frequency (kHz)	2.9±0.5		
Tone Nature	Continuous	Fast Pulse	Slow Pulse
Operating Temperature (°C)	-20~ +70		
Case Material/Color	Fire-resistance ABS/Black		
Weight (g)	35		

Note: 1. Slow Pulse  $f_s=1.2\text{Hz}\pm 20\%$  Fast Pulse  $f_f=3.0\text{Hz}\pm 20\%$  2. These three models are epoxy-potting type.

#### PACKING INFORMATION:

Packing: 200 pcs per export carton

Carton Size: 47×30.5×31 cm

G. Weight: 8.5kgs N. Weight: 7.0 kgs

Address: Multitrack GmbH, Pfaffenrain 22, 35606 Solms, Germany

Tel: +49-6442-9220950, Fax: +49-3212-1258768

