



### Piezo Buzzer

# FM-12Q-900

Rev.2



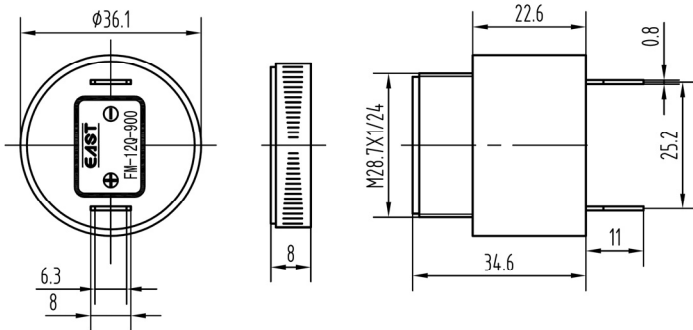
#### FEATURES:

- High Output
- High reliability
- Wide Voltage Range

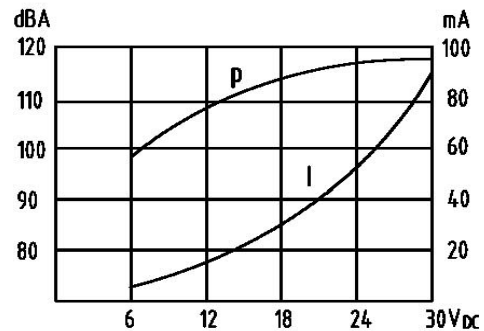
#### APPLICATIONS:

- Automatic Control Equipment
- Communication Equipment
- Electronic Instruments

#### DIMENSIONS: (Unit: mm)



#### CHARACTERISTICS:



#### ELECTRICAL SPECIFICATIONS:

Min. Sound Pressure Level at

12V <sub>DC</sub> /10cm.....	90dB(A)
Rated Voltage.....	12V <sub>DC</sub>
Operating Voltage.....	6~30V <sub>DC</sub>
Max. Consumption.....	20mA/12V <sub>DC</sub>
Oscillating Frequency.....	2.9±0.5kHz
Tone Nature.....	Continuous
Operating Temperature.....	-20~+70°C
Case Material/Color.....	Fire-resistance ABS/Black
Weight.....	32g

#### PACKING INFORMATION:

Packing: 400 pcs per export carton

Carton Size: 47×30.5×27 cm

G. Weight: 14.3 kgs N. Weight: 12.8kgs

Address: Multitrack GmbH, Pfaffenrain 22, 35606 Solms, Germany

Tel: +49-6442-9220950, Fax: +49-3212-1258768

