



Piezo Buzzer

RoHS
Compliant

FM-12HE-900SERIES

Rev.2



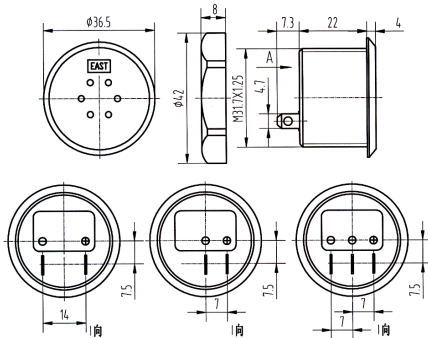
FEATURES:

- High Output
- High Reliability
- Wide Voltage

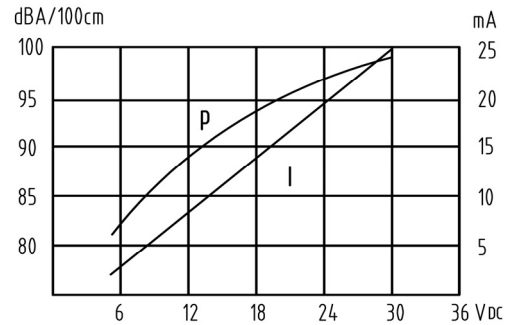
APPLICATIONS:

- Automatic Control Equipment
- Communication Equipment
- Electronic Instruments

DIMENSIONS:(Unit: mm)



CHARACTERISTICS:



ELECTRICAL SPECIFICATIONS :

Model No.	FM-12HE-900	FM-12HE-901	FM-12HE-903	FM-12HE-905	FM-12HE-907
Min. Sound Pressure Level (dB)	85 /12V _{DC} /100cm				
Rated Voltage (V _{DC})	12				
Operating Voltage (V _{DC})	5~ 28				
Max. Consumption (mA)	10/12V _{DC}				
Oscillating Frequency (kHz)	3.0±0.5				
Tone Nature	Continuous	Fast Pulse	Slow Pulse	Continuous + Fast Pulse	Continuous + Slow Pulse
Operating Temperature (°C)	-20~ +70				
Case Material/Color	PC/Black				
Weight (g)	21				

Note: 1. Slow Pulse $f_s=1.6\text{Hz}\pm 20\%$, Fast Pulse $f_f=3.3\text{Hz}\pm 20\%$ 2. This series are epoxy-potting type.

PACKING INFORMATION:

Packing: 300 pcs per export carton

Carton Size: 47×30.5×23cm

G. Weight: 7.8 kgs N. Weight: 6.3 kgs

Address: Multitrack GmbH, Pfaffenrain 22, 35606 Solms, Germany

Tel: +49-6442-9220950, Fax: +49-3212-1258768

