



Piezo Buzzer

FM-12HB-900 SERIES

FEATURES:

Rev.2

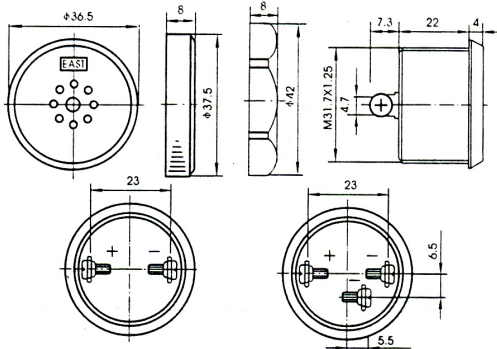
- High Output
- High Reliability
- Sound Control

APPLICATIONS:

- Automatic Control Equipment
- Communication Equipment
- Electronic Instruments



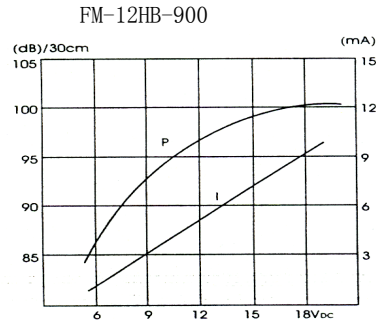
DIMENSIONS:(Unit: mm)



FM-12HB-900 FM-12HB-901 FM-12HB-903

FM-12HB-905 FM-12HB-907

CHARACTERISTICS:



ELECTRICAL SPECIFICATIONS:

| Model No. | FM-12HB-900 | FM-12HB-901 | FM-12HB-903 | FM-12HB-905 | FM-12HB-907 |
|--------------------------------------|----------------------------|-------------|-------------|-------------------------|-------------------------|
| Min. Sound Pressure Level (dB) | 90/12V _{DC} /30cm | | | | |
| Rated Voltage (V _{DC}) | 12 | | | | |
| Operating Voltage (V _{DC}) | 5~ 28 | | | | |
| Max. Consumption (mA) | 10/12V _{DC} | | | | |
| Oscillating Frequency (kHz) | 3.0±0.5 | | | | |
| Tone Nature | Continuous | Fast Pulse | Slow Pulse | Continuous + Fast Pulse | Continuous + Slow Pulse |
| Operating Temperature (°C) | -20~ +70 | | | | |
| Case Material/Color | PC/Black | | | | |
| Weight | 21g | | | | |

Note: 1. Slow Pulse $f_s=1.6\text{Hz}\pm 20\%$, Fast Pulse $f_F=3.3\text{Hz}\pm 20\%$ 2. This series are epoxy-potting type.

PACKING INFORMATION:

Packing: 300 pcs per export carton

Carton Size: 47×30.5×23 cm

G. Weight: 7.8kgs N. Weight: 6.3kgs

Address: Multitrack GmbH, Pfaffenrain 22, 35606 Solms, Germany

Tel: +49-6442-9220950, Fax: +49-3212-1258768

