



### Piezo Buzzer

## FM-12H-900 SERIES

#### FEATURES:

Rev.2



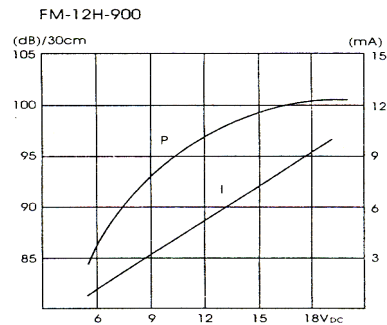
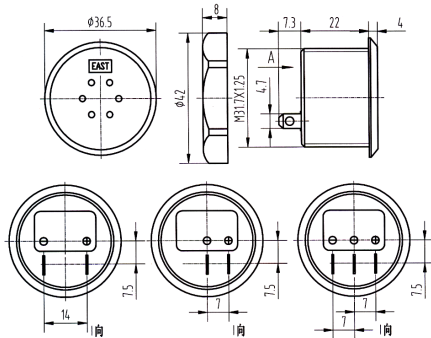
- High Output
- High Reliability
- Wide Voltage

#### APPLICATIONS:

- Automatic Control Equipment
- Communication Equipment
- Electronic Instruments

**DIMENSIONS:( Unit: mm)**

#### CHARACTERISTICS:



#### ELECTRICAL SPECIFICATIONS:

Model No.	FM-12H-900	FM-12H-901	FM-12H-903	FM-12H-905	FM-12H-907
Min. Sound Pressure Level (dB)	90 /12V <sub>DC</sub> /30cm				
Rated Voltage (V <sub>DC</sub> )	12				
Operating Voltage (V <sub>DC</sub> )	5~ 28				
Max. Consumption (mA)	10/12V <sub>DC</sub>				
Oscillating Frequency (kHz)	3.0±0.5				
Tone Nature	Continuous	Fast Pulse	Slow Pulse	Continuous + Fast Pulse	Continuous + Slow Pulse
Operating Temperature (°C)	-20~ +70				
Case Material/Color	PC/Black				
Weight	21g				

Note: 1. Slow Pulse  $f_s=1.6\text{Hz}\pm 20\%$ , Fast Pulse  $f_f=3.3\text{Hz}\pm 20\%$  2. This series are epoxy-potting type.

#### PACKING INFORMATION:

Packing: 300 pcs per export carton

Carton Size: 47×30.5×23cm

G. Weight: 7.8 kgs N. Weight: 6.3 kgs

Address: Multitrack GmbH, Pfaffenrain 22, 35606 Solms, Germany

Tel: +49-6442-9220950, Fax: +49-3212-1258768

