

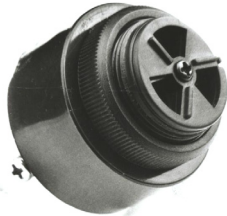


### Piezo Buzzer

## FM-12F-900A SERIES

### FEATURES:

Rev.2

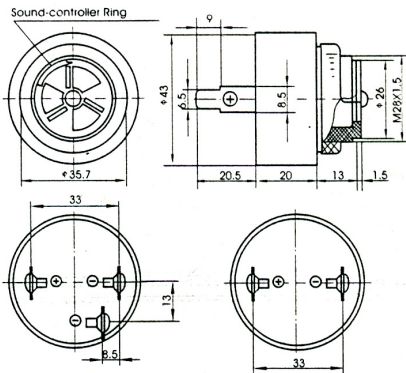


- High Output
- High Reliability
- Sound Control

### APPLICATIONS:

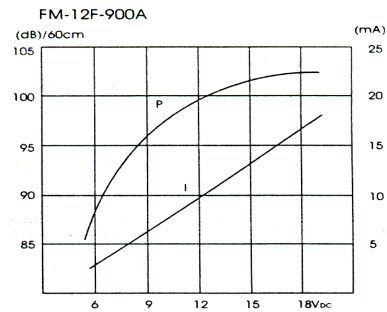
- Automatic Control Equipment
- Communication Equipment
- Electronic Instruments

### DIMENSIONS:( Unit: mm)



FM-12F-905A FM-12F-907A FM-12F-900A FM-12F-901A FM-12F-903A

### CHARACTERISTICS:



### ELECTRICAL SPECIFICATIONS :

Model No.	FM-12F-900A	FM-12F-901A	FM-12F-903A	FM-12F-905A	FM-12F-907A
Min. Sound Pressure Level (dB)	90				
Rated Voltage (V <sub>DC</sub> )	12				
Operating Voltage (V <sub>DC</sub> )	6~ 16				
Max. Consumption (mA)	20/12V <sub>DC</sub>				
Oscillating Frequency (kHz)	3.0±0.5				
Tone Nature	Continuous	Fast Pulse	Slow Pulse	Continuous + Fast Pulse	Continuous + Slow Pulse
Operating Temperature (°C)	-20~ +70				
Case Material/Color	Fire-resistance ABS/Black				
Weight (g)	35				

Note: 1. Slow Pulse  $f_s=1.0\text{Hz}$ , Fast Pulse  $f_f=5.0\text{Hz} \pm 20\%$  2. This series are epoxy-potting type.

### PACKING INFORMATION:

Packing: 200 pcs per export carton

Carton Size: 41×26×33 cm

G. Weight: 8.5 kgs N. Weight: 7.0 kgs

Address: Multitrack GmbH, Pfaffenrain 22, 35606 Solms, Germany

Tel: +49-6442-9220950, Fax: +49-3212-1258768

