



Piezo Buzzer



Rev.2

FM-12C-900 SERIES



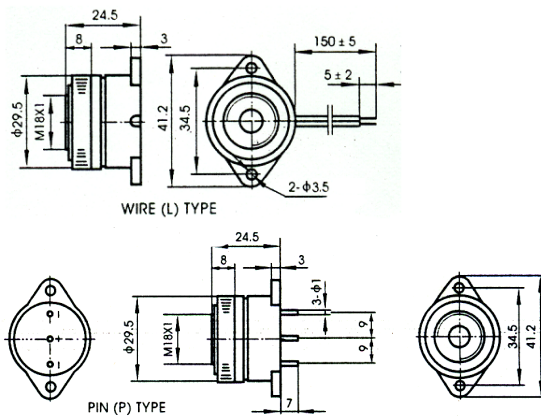
FEATURES:

- High Output
- High Reliability
- Wide Voltage

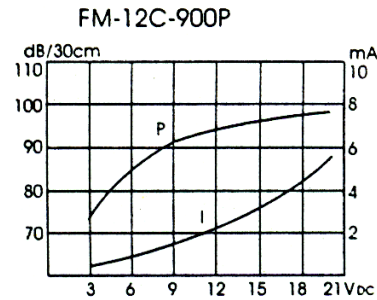
APPLICATIONS:

- Automatic Control Equipment
- Communication Equipment
- Electronic Instruments

DIMENSIONS:(Unit: mm)



CHARACTERISTICS:



ELECTRICAL SPECIFICATIONS:

Model No.	FM-12C-900L/P	FM-12C-901L/P	FM-12C-903L/P	FM-12C-905L/P	FM-12C-907L/P
Min. Sound Pressure Level (dB)	90				
Rated Voltage (V _{DC})	12				
Operating Voltage (V _{DC})	3~20				
Max. Consumption (mA)	10/12V _{DC}				
Oscillating Frequency (kHz)	3.7±0.5				
Tone Nature	Continuous	Fast Pulse	Slow Pulse	Continuous + Fast Pulse	Continuous + Slow Pulse
Operating Temperature (°C)	-20~ +70				
Case Material/Color	ABS/Black				
Weight (g)	13				

Note: Slow Pulse $f_s=1.6\text{Hz}$, Fast Pulse $f_F=3.3\text{Hz}\pm 20\%$

PACKING INFORMATION:

	P TYPE	L TYPE
Packing:	630	1100 pcs per export carton
G. Weight:	9.7	15.8 kgs
N. Weight:	8.2	14.3 kgs
Carton Size:	47x30.5 x19	47x30.5 x25 cm

Address: Multitrack GmbH, Pfaffenrain 22, 35606 Solms, Germany
 Tel: +49-6442-9220950, Fax: +49-3212-1258768

