



Piezo Buzzer

Rev.2

FM-12A-900A SERIES



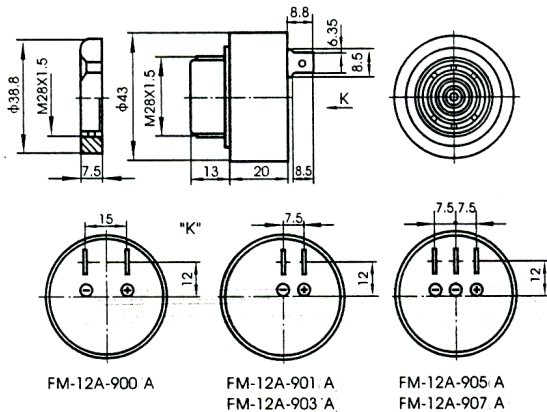
FEATURES:

- High Output
- High Reliability
- Sealed Type

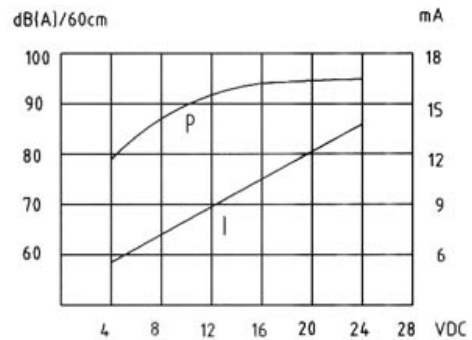
APPLICATIONS:

- Automatic Control Equipment
- Communication Equipment
- Electronic Instruments

DIMENSIONS:(Unit: mm)



CHARACTERISTICS:



ELECTRICAL SPECIFICATIONS:

Model No.	FM-12A-900A	FM-12A-901A	FM-12A-903A	FM-12A-905A	FM-12A-907A
Min. Sound Pressure Level (dB)	90 /12V _{DC} /60cm				
Rated Voltage (V _{DC})	12				
Operating Voltage (V _{DC})	6~ 28				
Max. Consumption (mA)	32/12V _{DC}				
Oscillating Frequency (kHz)	2.9±0.5				
Tone Nature	Continuous	Fast Pulse	Slow Pulse	Continuous + Fast Pulse	Continuous + Slow Pulse
Operating Temperature (°C)	-20~ +70				
Case Material/Color	ABS/Black				
Weight (g)	35				

Note: 1. Slow Pulse $f_s=1.2\text{Hz}\pm 20\%$, Fast Pulse $f_f=3.0\text{Hz}\pm 20\%$ 2. This series are epoxy-potting type.

PACKING INFORMATION:

Packing: 200 pcs per export carton

Carton Size: 47×30.5×31 cm

G. Weight: 8.5 kgs N. Weight: 7.0kgs

Address: Multitrack GmbH, Pfaffenrain 22, 35606 Solms, Germany

Tel: +49-6442-9220950, Fax: +49-3212-1258768

