

*Piezo Buzzer***FM-110Q-900**

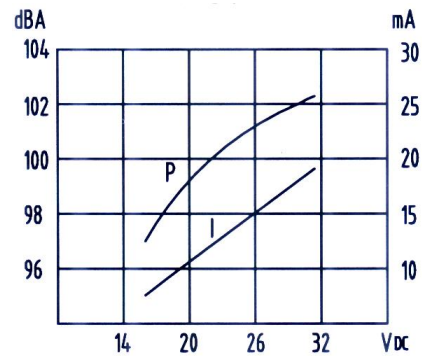
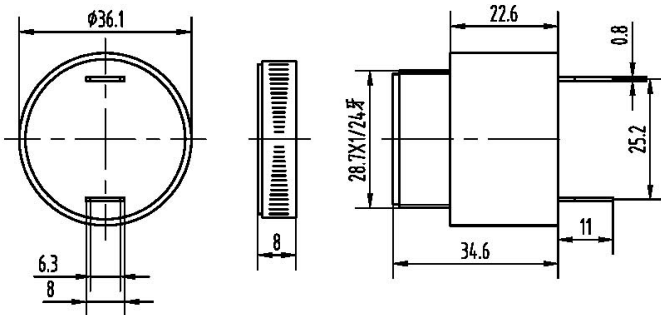
Rev.2

**FEATURES:**

- High Output
- High reliability
- Wide Voltage Range

APPLICATIONS:

- Automatic Control Equipment
- Communication Equipment
- Electronic Instruments

DIMENSIONS: (Unit: mm)**CHARACTERISTICS:****ELECTRICAL SPECIFICATIONS :**

Min. Sound Pressure Level at

110V_{AC}/60cm.....90dB(A)Rated Voltage.....110V_{AC}Operating Voltage.....30~120V_{AC}Max. Consumption at 110V_{AC}.....20mA

Oscillating Frequency.....2.9±0.5kHz

Tone Nature.....Continuous

Operating Temperature.....-40~+85°C

Case Material/Color.....Fire-resistance ABS/Black

Weight.....32g

PACKING INFORMATION:

Packing: 400 pcs per export carton

Carton Size: 47×30.5×27 cm

G. Weight: 14.3 kgs N. Weight: 12.8 kgs

Address: Multitrack GmbH, Pfaffenrain 22, 35606 Solms, Germany

Tel: +49-6442-9220950, Fax: +49-3212-1258768

