



Piezo Buzzer

FM-24(110/220)A-901A

FEATURES:

Rev.2

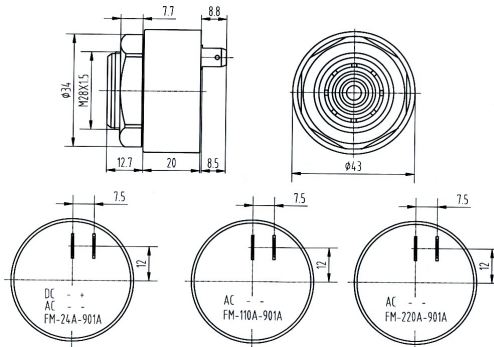


- High Output
- High Reliability
- High Voltage

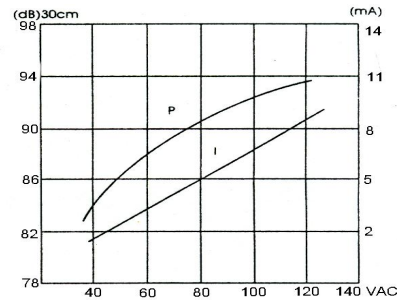
APPLICATIONS:

- Automatic Control Equipment
- Communication Equipment
- Electronic Instruments

DIMENSIONS:(Unit:mm)



CHARACTERISTICS:



FM-110A-901A

ELECTRICAL SPECIFICATIONS:

Model No.	FM-24A-901A	FM-110A-901A	FM-220A-901A
Min. Sound Pressure Level (dB)	90/12V _{DC} /30cm 90/12V _{AC} /30cm	90 /110V _{AC} /30cm	90 /220V _{AC} /30cm
Rated Voltage AC/DC (V)	12	110	220
Operating Voltage AC/DC (V)	6~28	30~120	60~250
Max. Consumption (mA)	10/12V _{DC}	18/110V _{AC}	18/220V _{AC}
Oscillating Frequency (kHz)	2.9±0.5		
Pulse Frequency (Hz)	3.0Hz±20%/12V _{DC}	3.0Hz±20%/110V _{AC}	3.0Hz±20%/220V _{AC}
Tone Nature	Fast Pulse		
Operating Temperature (°C)	-20~+70		
Case Material/Color	Fire-resistance ABS/Black		
Weight (g)	35		

Note: 1. These three models are epoxy-potting type.

PACKING INFORMATION:

Packing: 200 pcs per export carton

Carton Size: 47×30.5×31 cm

G. Weight: 8.5 kgs N. Weight: 7.0 kgs

Address: Multitrack GmbH, Pfaffenrain 22, 35606 Solms, Germany

Tel: +49-6442-9220950, Fax: +49-3212-1258768

