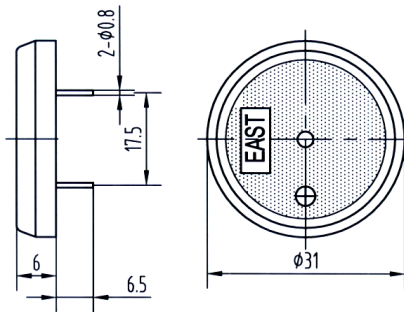
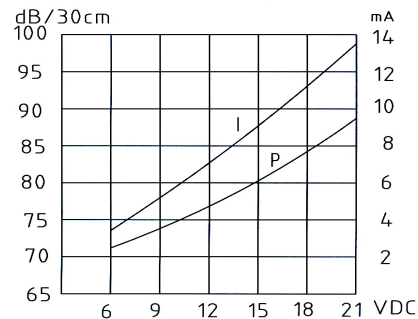


*Piezo Buzzer***EFM-940P****DIMENSIONS:** (Unit: mm)**FEATURES:**

- SMT Inside
- Small Size
- Wide Voltage Range

APPLICATIONS:

- Automatic Control Equipment
- Communication Equipment
- Electronic Instruments

CHARACTERISTICS:**ELECTRICAL SPECIFICATIONS:**

Min. Sound Pressure Level at

12V _{DC} /30cm.....	70dB(A)
Rated Voltage.....	12V _{DC}
Operating Voltage.....	3~20V _{DC}
Max. Consumption.....	8mA/12V _{DC}
Oscillating Frequency.....	3.1±0.5KHz
Tone Nature.....	Continuous
Operating Temperature.....	-20~+70°C
Storage Temperature.....	-30~+80°C
Case Material/Color.....	PC/Black
Weight.....	3.8g

PACKING INFORMATION:

Packing: 2000 pcs per export carton

Carton Size: 47×30.5×25 cm

G. Weight: 9.1 kgs N. Weight: 7.6 kgs

Address: Multitrack GmbH, Pfaffenrain 22, 35606 Solms, Germany

Tel: +49-6442-9220950, Fax: +49-3212-1258768

