



Rev.2

### Piezo Buzzer

## EFM-940L



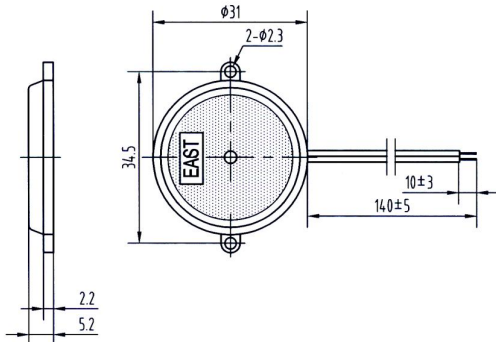
#### FEATURES:

- SMT Inside
- Small Size
- Wide Voltage Range

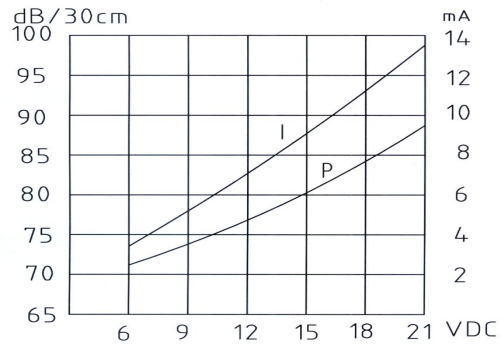
#### APPLICATIONS:

- Automatic Control Equipment
- Communication Equipment
- Electronic Instruments

#### DIMENSIONS: (Unit: mm)



#### CHARACTERISTICS:



#### ELECTRICAL SPECIFICATIONS:

Min. Sound Pressure Level at

12V<sub>DC</sub>/30cm.....70dB(A)

Rated Voltage.....12V<sub>DC</sub>

Operating Voltage.....3~20V<sub>DC</sub>

Max. Consumption.....8mA/12V<sub>DC</sub>

Oscillating Frequency.....3.1±0.5KHz

Tone Nature.....Continuous

Operating Temperature.....-20~+70 °C

Storage Temperature.....-30~+80 °C

Case Material/Color.....PC/Black

Weight.....4g

Wire Standard.....UL1095-28AWG

#### PACKING INFORMATION:

Packing: 4000pcs per export carton

Carton Size: 47×30.5×19 cm

G. Weight: 17.5 kgs N. Weight: 16 kgs

Address: Multitrack GmbH, Pfaffenrain 22, 35606 Solms, Germany

Tel: +49-6442-9220950, Fax: +49-3212-1258768

