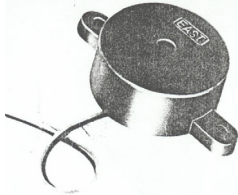




Rev.2

Piezo Buzzer

EFM-810



FEATURES:

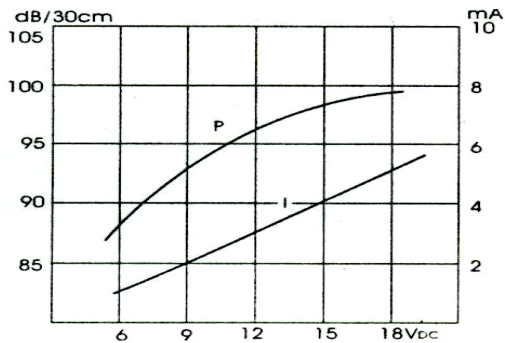
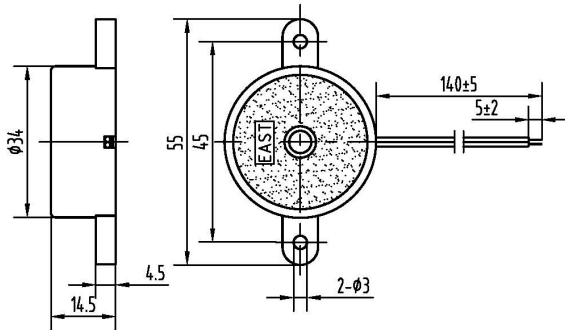
- High Output
- Flange Mounting With Sire Leads

APPLICATIONS:

- Automatic Control Equipment
- Communication Equipment
- Electronic Instruments

CHARACTERISTICS:

DIMENSIONS: (Unit: mm)



ELECTRICAL SPECIFICATIONS:

Min. Sound Pressure Level at

12V _{DC} /30cm.....	88dB(A)
Rated Voltage.....	12V _{DC}
Operating Voltage.....	3~28V _{DC}
Max. Consumption.....	5mA/12V _{DC}
Oscillating Frequency.....	3.5±0.5KHz
Tone Nature.....	Continuous
Operating Temperature.....	-20~+70°C
Case Material/Color.....	ABS/Black
Weight.....	9.3g
Wire Standard.....	UL1095-28AWG

PACKING INFORMATION:

Packing: 1140 pcs per export carton

Carton Size: 47× 30.5 × 23 cm

G. Weight: 12.1 kgs N. Weight: 10.6 kgs

Address: Multitrack GmbH, Pfaffenrain 22, 35606 Solms, Germany

Tel: +49-6442-9220950, Fax: +49-3212-1258768

