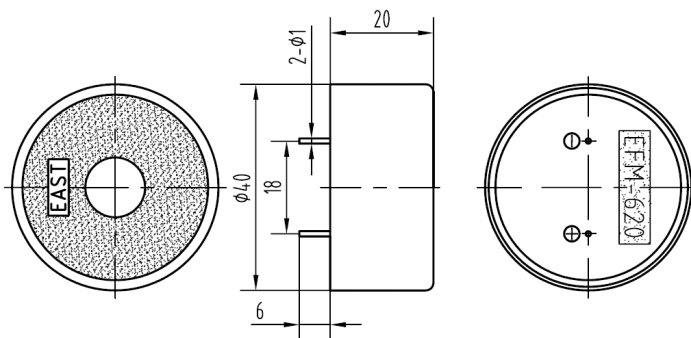
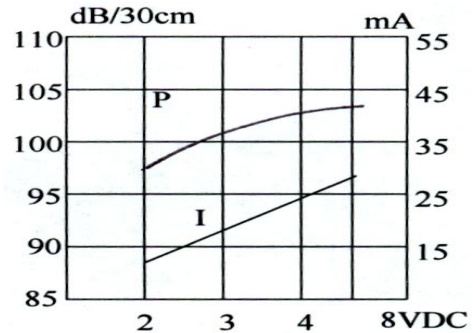


*Piezo Buzzer***EFM-620A****DIMENSIONS: (Unit: mm)****FEATURES:**

- High Output
- Low Voltage
- High Reliability

**APPLICATIONS:**

- Automatic Control Equipment
- Communication Equipment
- Electronic Instruments

**CHARACTERISTICS:****ELECTRICAL SPECIFICATIONS:**

Min. Sound Pressure Level at

|                             |                       |
|-----------------------------|-----------------------|
| 3V <sub>DC</sub> /30cm..... | 95dB(A)               |
| Rated Voltage.....          | 3V <sub>DC</sub>      |
| Operating Voltage.....      | 2~7V <sub>DC</sub>    |
| Max. Consumption.....       | 30mA/3V <sub>DC</sub> |
| Oscillating Frequency.....  | 3.2±0.5kHz            |
| Operating Temperature.....  | -20~+60°C             |
| Case Material/Color.....    | PC Lexan 141R /Black  |
| Weight.....                 | 12.5g                 |

**PACKING INFORMATION:**

Packing: 600 pcs per export carton

Carton Size: 47×30.5×35 cm

G. Weight: 9.0 kgs N. Weight: 7.5 kgs

Address: Multitrack GmbH, Pfaffenrain 22, 35606 Solms, Germany

Tel: +49-6442-9220950, Fax: +49-3212-1258768

