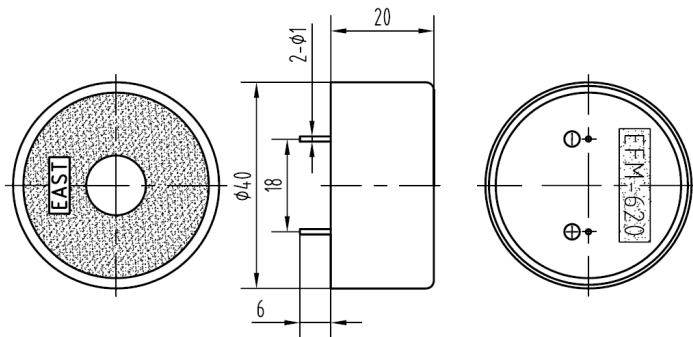
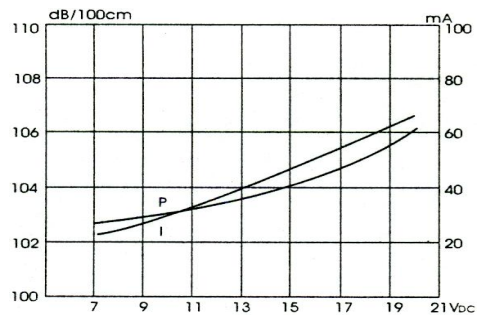


**High-output Piezo Buzzer****EFM-620****DIMENSIONS: (Unit: mm)****FEATURES:**

- Loud Output
- High Efficiency and Reliability
- Can Bear Soldering Temperature
- PCB Mounting

APPLICATIONS:

- Alarm Devices, Such as CO Detector, Gas Detector, Fire Warner etc.
- Automatic Control Equipment

CHARACTERISTICS:**ELECTRICAL SPECIFICATIONS:**

Min. Sound Pressure Level at

9V _{DC} /100cm.....	100dB(A)
7.5V _{DC} /300cm.....	90dB(A)
Rated Voltage.....	9V _{DC}
Operating Voltage.....	7~20V _{DC}
Max. Consumption.....	50mA/9V _{DC}
Oscillating Frequency.....	3.2±0.5kHz
Operating Temperature.....	-20~+60°C
Case Material/Color.....	PC Lexan 141R/Black
Weight.....	12.5g

PACKING INFORMATION:

Packing: 600 pcs per export carton

Carton Size: 47×30.5×35cm

G. Weight: 9.0 kgs N. Weight: 7.5 kgs

Address: Multitrack GmbH, Pfaffenrain 22, 35606 Solms, Germany

Tel: +49-6442-9220950, Fax: +49-3212-1258768

