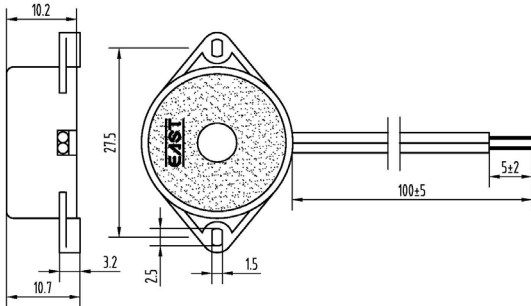


**Piezo Buzzer****EFM-475****DIMENSIONS: (Unit: mm)****(Optional wash tab)****ELECTRICAL SPECIFICATIONS:**

Min. Sound Pressure Level at

12V_{DC}/30cm..... 85dB(A)Rated Voltage.....12V_{DC}Operating Voltage..... 3~30V_{DC}Max. Consumption..... 3mA/12V_{DC}

Oscillating Frequency..... 4.5±0.5kHz

Tone Nature.....Continuous

Operating Temperature..... -20~+70°C

Case Material/Color.....ABS/Black

Wire Standard.....UL1095-26AWG

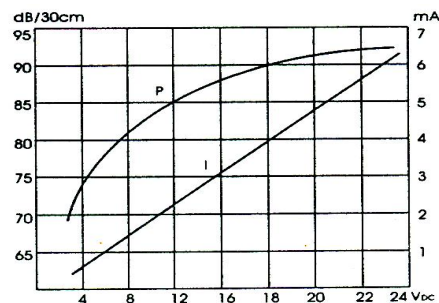
Weight..... 2.8g

FEATURES:

- High Output
- Flange Mounting With Sire Lead
- Low Consumption

APPLICATIONS:

- Automatic Control Equipment
- Communication Equipment
- Electronic Instruments

CHARACTERISTICS:**PACKING INFORMATION:**

Packing: 3920pcs per export carton

Carton Size: 47×30.5×25 cm

G. Weight: 12.5kgs N. Weight: 11.0 kgs

Address: Multitrack GmbH, Pfaffenrain 22, 35606 Solms, Germany

Tel: +49-6442-9220950, Fax: +49-3212-1258768



REVISION HISTORY				
REV	DESCRIPTION	ISSUED BY/DATE	CHECKED	APPROVED
1	RELEASE	JINYOU LIANG May 21, 2008	ZHANGCHUNLEI	WANGJIANCHENG
3	Add "EAST" marking	WEN GUANGJUN June 15, 2009	ZHOUHONGGANG	WANGJIANCHENG