

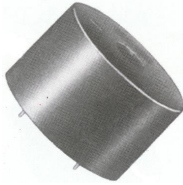


Piezo Buzzer



Rev.2

EFM-472A



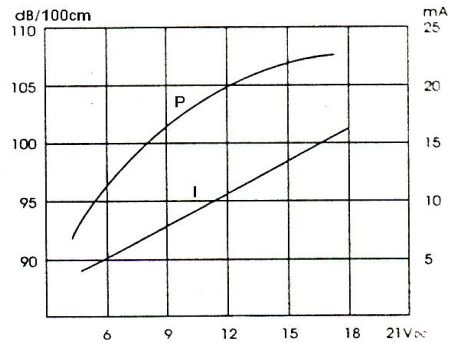
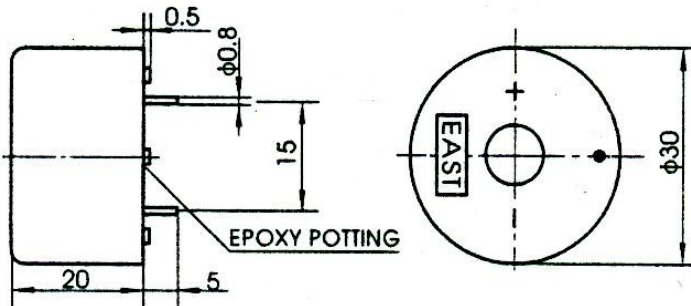
FEATURES:

- High Output
- Sealed Type
- High Reliability

APPLICATIONS:

- Automatic Control Equipment
- Communication Equipment
- Electronic Instruments

DIMENSIONS: (Unit: mm)



ELECTRICAL SPECIFICATIONS:

Min. Sound Pressure Level at	
12V _{DC} /100cm.....	90dB(A)
Rated Voltage.....	12V _{DC}
Operating Voltage.....	3~20V _{DC}
Max. Consumption.....	10mA/12V _{DC}
Oscillating Frequency.....	3.5±0.5kHz
Tone Nature.....	Continuous
Operating Temperature.....	-20~+70°C
Case Material/Color.....	PC/Black
Weight.....	11.5g

PACKING INFORMATION:

Packing: 960pcs per export carton
 Carton Size: 47×30.5×35 cm
 G. Weight: 12.5kgs N. Weight: 11.0kgs
 Address: Multitrack GmbH, Pfaffenrain 22, 35606 Solms, Germany
 Tel: +49-6442-9220950, Fax: +49-3212-1258768

