



Piezo Buzzer

EFM-472



FEATURES:

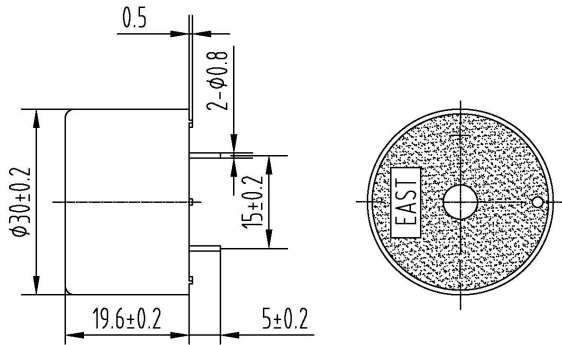
- High Output
- Low Consumption; Low Voltage
- High Reliability

Rev.2

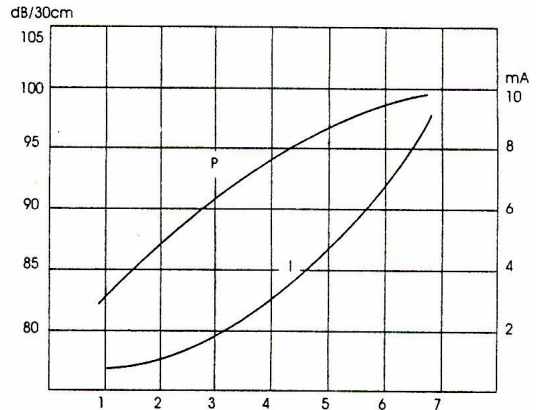
APPLICATIONS:

- Automatic Control Equipment
- Communication Equipment
- Electronic Instruments

DIMENSIONS: (Unit: mm)



CHARACTERISTICS:



(Optional wash tab)

ELECTRICAL SPECIFICATIONS:

Min. Sound Pressure Level at	
3V _{DC} /30cm.....	90dB(A)
Rated Voltage.....	3V _{DC}
Operating Voltage.....	2~5V _{DC}
Max. Consumption.....	5mA/3V _{DC}
Oscillating Frequency.....	3.5±0.5kHz
Tone Nature.....	Continuous
Operating Temperature.....	-20~+70°C
Case Material/Color.....	PC/Black
Weight.....	11.5g

PACKING INFORMATION:

Packing: 960pcs per export carton
 Carton Size: 47×30.5×35 cm
 G. Weight: 12.5 kgs N. Weight: 11kgs
 Address: Multitrack GmbH, Pfaffenrain 22, 35606 Solms, Germany
 Tel: +49-6442-9220950, Fax: +49-3212-1258768



REVISION HISTORY				
REV	DESCRIPTION	ISSUED BY/DATE	CHECKED	APPROVED
1	RELEASE	JINYOU LIANG	ZHANGCHUNLEI	WANGJIANCHENG
2	Add to tolerance dimension	ZHOUHONGGANG JUN 02, 2009	ZHANGCHUNLEI	WANGJIANCHENG