



### Piezo Buzzer



Rev.2

## EFM-471ML



#### FEATURES:

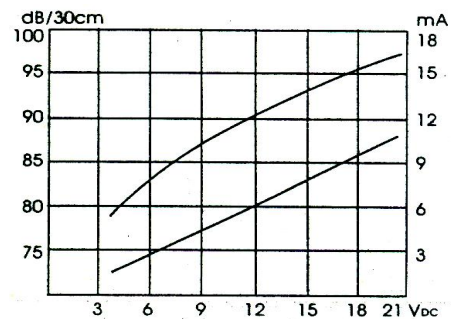
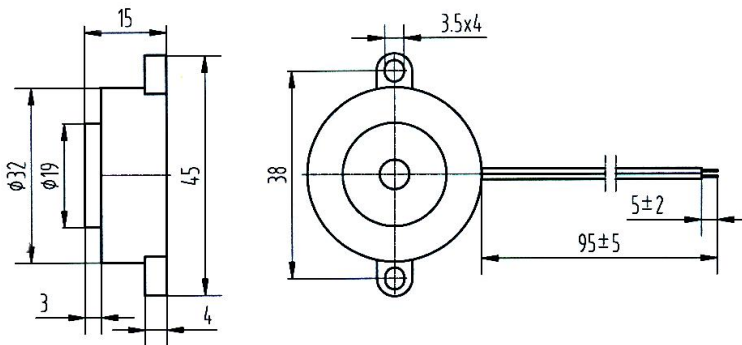
- High Output
- Low Consumption
- High Reliability

#### APPLICATIONS:

- Automatic Control Equipment
- Communication Equipment
- Electronic Instruments

#### CHARACTERISTICS:

#### DIMENSIONS: (Unit: mm)



#### ELECTRICAL SPECIFICATIONS:

Min. Sound Pressure Level at

12V<sub>DC</sub>/30cm.....87dB(A)

Rated Voltage.....12V<sub>DC</sub>

Operating Voltage.....3~20V<sub>DC</sub>

Max. Consumption.....15mA/12V<sub>DC</sub>

Oscillating Frequency.....3.9±0.5kHz

Tone Nature.....Slow Pulse (1.2Hz±20%)

Operating Temperature.....-20~+70°C

Case Material/Color.....ABS/White

Weight.....8g

Wire Standard.....UL1095-26AWG

#### PACKING INFORMATION:

Packing: 1400pcs per export carton

Carton Size: 47×30.5×21 cm

G. Weight: 12.7 kgs N. Weight: 11.2 kgs

Address: Multitrack GmbH, Pfaffenrain 22, 35606 Solms, Germany

Tel: +49-6442-9220950, Fax: +49-3212-1258768

