

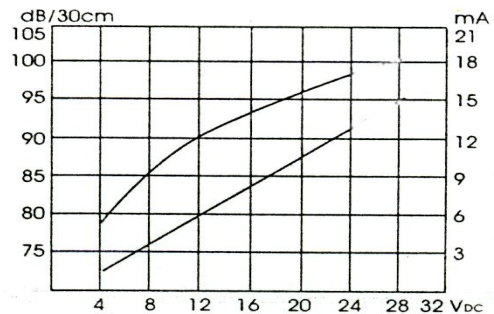
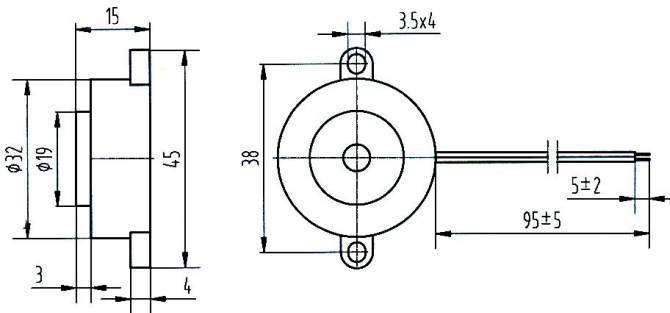
**Piezo Buzzer**RoHS
Compliant**EFM-471L****FEATURES:**

- High Output
- Low Consumption
- High Reliability

Rev.2

APPLICATIONS:

- Automatic Control Equipment
- Communication Equipment
- Electronic Instruments

CHARACTERISTICS:**DIMENSIONS: (Unit: mm)****ELECTRICAL SPECIFICATIONS:**

Min. Sound Pressure Level at

12V_{DC}/30cm.....90dB(A)Rated Voltage.....12V_{DC}Operating Voltage.....3~24V_{DC}Max. Consumption.....15mA/12V_{DC}

Oscillating Frequency.....3.9±0.5kHz

Tone Nature.....Continuous

Operating Temperature.....-20~+70°C

Case Material/Color.....ABS/White

Weight.....8g

Wire Standard.....UL1095-26AWG

PACKING INFORMATION:

Packing: 1400pcs per export carton

Carton Size: 47×30.5×21 cm

G. Weight: 12.7 kgs N. Weight: 11.2 kgs

Address: Multitrack GmbH, Pfaffenrain 22, 35606 Solms, Germany

Tel: +49-6442-9220950, Fax: +49-3212-1258768

