

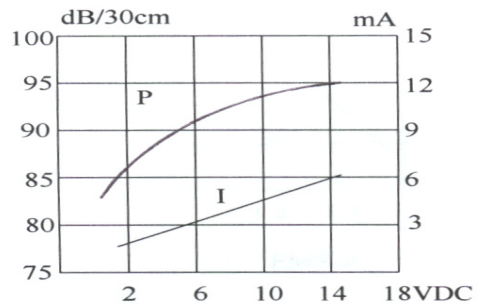
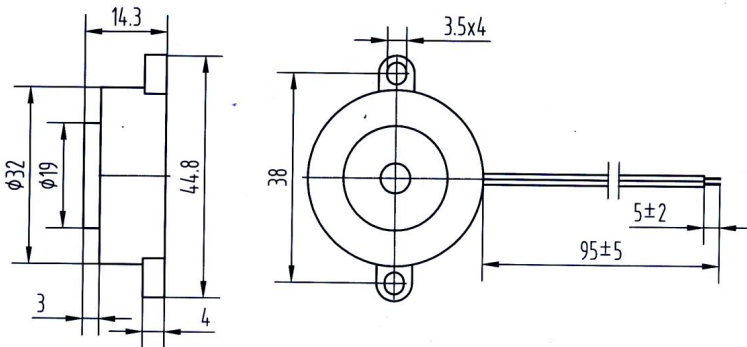
**Piezo Buzzer**RoHS
Compliant**EFM-471BL****FEATURES:**

- High Output
- Low Voltage
- High Reliability

APPLICATIONS:

- Automatic Control Equipment
- Communication Equipment
- Electronic Instruments

Rev.2

DIMENSIONS: (Unit: mm)**CHARACTERISTICS:****ELECTRICAL SPECIFICATIONS:**

Min. Sound Pressure Level at

6V_{DC}/30cm.....85dB(A)Rated Voltage.....6V_{DC}Operating Voltage.....1.5~16V_{DC}Max. Consumption.....5mA/6V_{DC}

Oscillating Frequency.....3.5±0.5KHz

Tone Nature.....Continuous

Operating Temperature.....-20~+70°C

Case Material/Color.....PC/Black

Weight.....8g

Wire Standard.....UL1095-28AWG

PACKING INFORMATION:

Packing: 1400 pcs per export carton

Carton Size: 47x30.5x21 cm

G. Weight: 12.7 kgs N. Weight: 11.2 kgs

Address: Multitrack GmbH, Pfaffenrain 22, 35606 Solms, Germany

Tel: +49-6442-9220950, Fax: +49-3212-1258768

