



Piezo Buzzer



Rev.2

EFM-310B



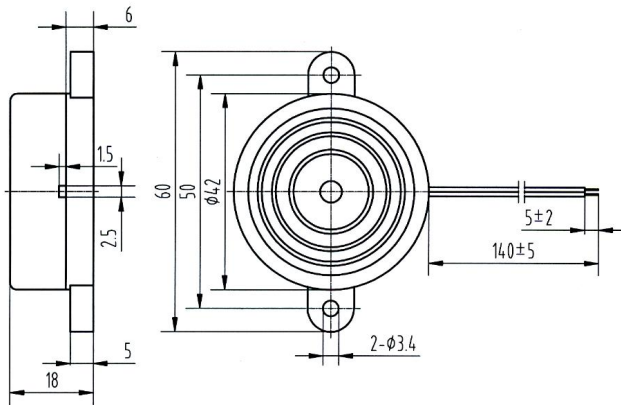
FEATURES:

- High Output
- Sealed Type
- High Reliability

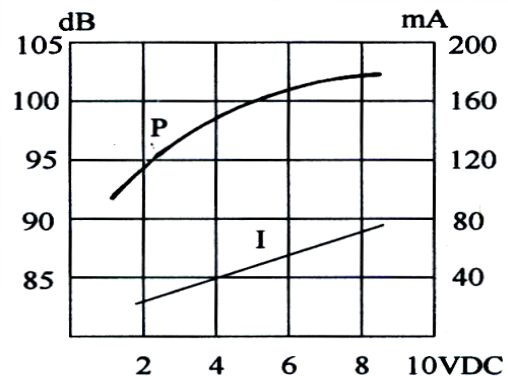
APPLICATIONS:

- Automatic Control Equipment
- Communication Equipment
- Electronic Instruments

DIMENSIONS: (Unit: mm)



CHARACTERISTICS:



ELECTRICAL SPECIFICATIONS:

Min. Sound Pressure Level at

6V_{DC}/30cm.....96dB(A)

Rated Voltage.....6V_{DC}

Operating Voltage.....3~9V_{DC}

Max. Consumption.....80mA/6V_{DC}

Tone Nature.....Siren

Operating Temperature.....-20~+70°C

Case Material/Color.....ABS/Black

Weight.....20g

Wire Standard.....UL1095-28AWG

PACKING INFORMATION:

Packing: 750pcs per export carton

Carton Size: 47×30.5×25 cm

G. Weight: 16.5 kgs N. Weight: 15 kgs

Address: Multitrack GmbH, Pfaffenrain 22, 35606 Solms, Germany

Tel: +49-6442-9220950, Fax: +49-3212-1258768

