

*Piezo Buzzer*RoHS  
Compliant**EFM-310A**

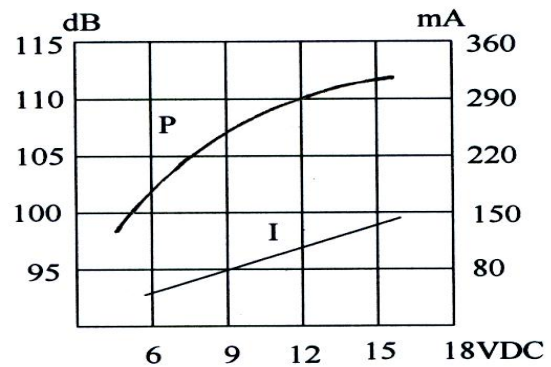
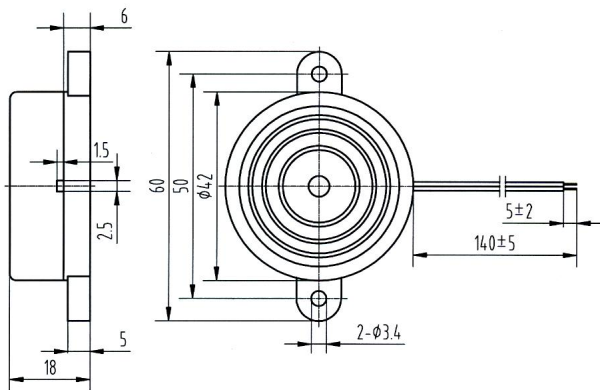
Rev.2

**FEATURES:**

- High Output
- Sealed Type
- High Reliability

**APPLICATIONS:**

- Automatic Control Equipment
- Communication Equipment
- Electronic Instruments

**DIMENSIONS: (Unit: mm)****CHARACTERISTICS:****ELECTRICAL SPECIFICATIONS:**

Min. Sound Pressure Level at

12V<sub>DC</sub>/30cm.....100dB(A)Rated Voltage.....12V<sub>DC</sub>Operating Voltage.....6~15V<sub>DC</sub>Max. Consumption.....150mA/12V<sub>DC</sub>

Tone Nature.....Siren

Operating Temperature.....-20~+70°C

Case Material/Color.....ABS/Black

Weight.....20g

Wire Standard.....UL1095-28AWG

**PACKING INFORMATION:**

Packing: 750 pcs per export carton

Carton Size: 47x30.5x25 cm

G. Weight: 16.5 kgs N. Weight: 15 kgs

Address: Multitrack GmbH, Pfaffenrain 22, 35606 Solms, Germany

Tel: +49-6442-9220950, Fax: +49-3212-1258768

