



Magnetic Transducer

EMX-9TG01PC

Rev.2

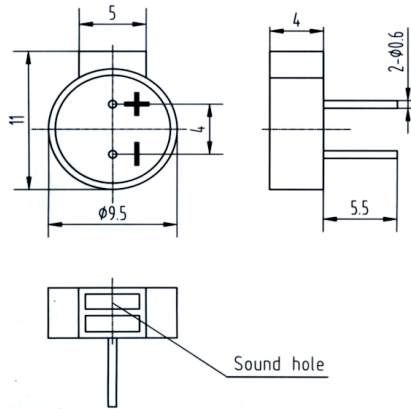
FEATURES:

- Low Frequency
- Low Voltage
- Small and Slim Size

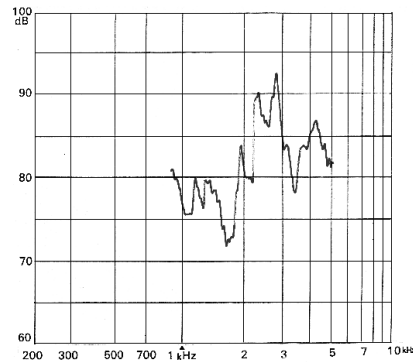
APPLICATIONS:

- Automatic Control Equipment
- Communication Equipment
- Electronic Instruments

DIMENSIONS:(Unit: mm)



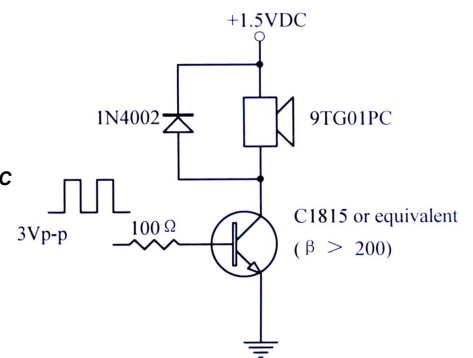
CHARACTERISTICS:



ELECTRICAL SPECIFICATIONS:

Min. Sound Pressure Level at	
1.5V/2731Hz/10cm.....	85dB
Rated Voltage.....	1.5V
Operating Voltage.....	1~2V
Max. Consumption at	
2731Hz/3V _{p-p} Square Wave.....	80mA/1.5V _{DC}
Coil Resistance.....	5.5±2Ω
Resonant Frequency	2731Hz
Operating Temperature.....	-20~+80°C
Weight.....	0.8g

TEST CIRCUIT:



PACKING INFORMATION:

Packing: 3000 pcs per export carton
 Carton Size: 47×30.5×29 cm
 G. Weight: 3.9 kgs N. Weight: 2.4 kgs
 Address: Multitrack GmbH, Pfaffenrain 22, 35606 Solms, Germany
 Tel: +49-6442-9220950, Fax: +49-3212-1258768

