



Rev.2

## Magnetic Transducer

### EMX-9TG01PA



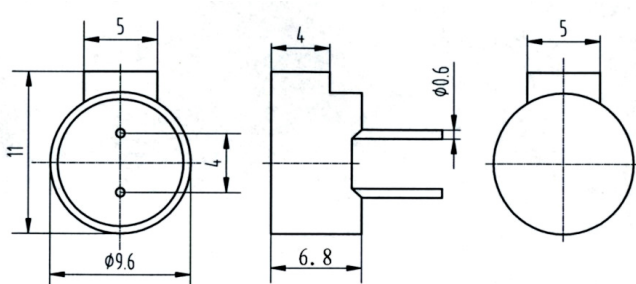
#### FEATURES:

- Low Frequency
- Low Voltage
- Small and Slim Size

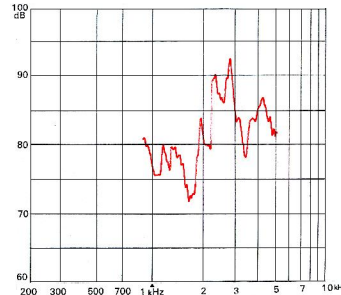
#### APPLICATIONS:

- Automatic Control Equipment
- Communication Equipment
- Electronic Instruments

#### DIMENSIONS:( Unit: mm)



#### CHARACTERISTICS:



#### ELECTRICAL SPECIFICATIONS:

Min. Sound Pressure Level at

1.5V/2731Hz/10cm.....85dB

Rated Voltage.....1.5V

Operating Voltage.....1~2V

Max. Consumption at

2731Hz/3V<sub>p-p</sub> Square Wave.....80mA/1.5V<sub>DC</sub>

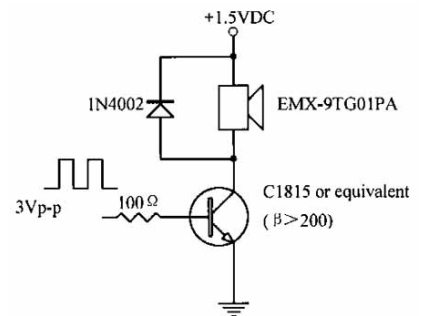
Coil Resistance.....5.5±2Ω

Resonant Frequency.....2731Hz

Operating Temperature.....-20~+80°C

Weight.....0.8g

#### TEST CIRCUIT:



#### PACKING INFORMATION:

Packing: 3000 pcs per export carton

Carton Size: 47×30.5×29 cm

G. Weight: 3.9 kgs N. Weight: 2.4 kgs

Address: Multitrack GmbH, Pfaffenrain 22, 35606 Solms, Germany

Tel: +49-6442-9220950, Fax: +49-3212-1258768

