



### Magnetic Transducer



# EMX- 9T03PA

Rev.2



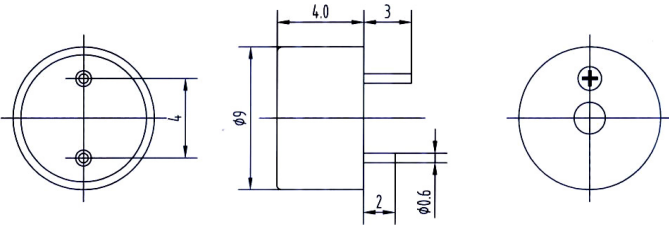
#### FEATURES:

- Low Frequency
- Low Voltage
- Small and Slim Size

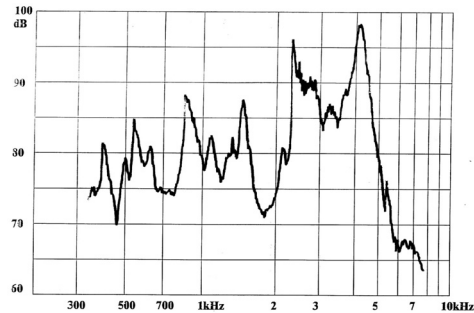
#### APPLICATIONS:

- Automatic Control Equipment
- Communication Equipment
- Electronic Instruments

#### DIMENSIONS: (Unit: mm)



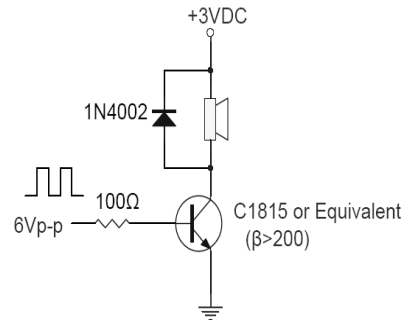
#### CHARACTERISTICS:



#### ELECTRICAL SPECIFICATIONS:

- Min. Sound Pressure Level at  
3V Square Wave /10cm/2700Hz.....80dB(A)(TYPE85dB)
- Rated Voltage.....3V
- Operating Voltage.....2~5V
- Max. Consumption  
at 2700Hz/6Vp-p Square Wave.....80mA/3V<sub>DC</sub>
- Resonant Frequency.....2700Hz
- Coil Resistance.....25Ω
- Operating Temperature.....-20~+60°C
- Storage Temperature.....-30~+80°C
- Weight.....1g

#### TEST CIRCUIT:



#### PACKING INFORMATION:

- Packing: 3000 pcs per export carton
- Carton Size: 47×25×27cm
- G. Weight: 4.5 kgs N. Weight: 3.0kgs
- Address: Multitrack GmbH, Pfaffenrain 22, 35606 Solms, Germany
- Tel: +49-6442-9220950, Fax: +49-3212-1258768

