



Magnetic Transducer



Rev.2

EMX-8T12P



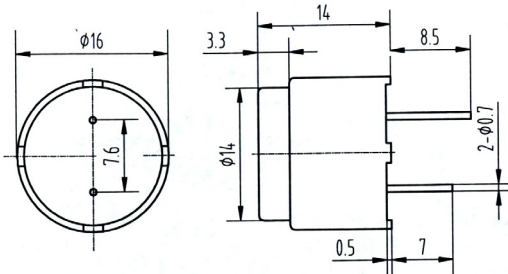
FEATURES:

- Low Frequency
- Low Voltage
- Small and slim size

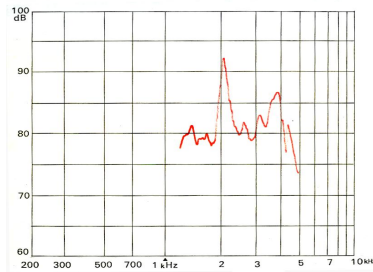
APPLICATIONS:

- Automatic Control Equipment
- Communication Equipment
- Electronic Instruments

DIMENSIONS: (Unit: mm)



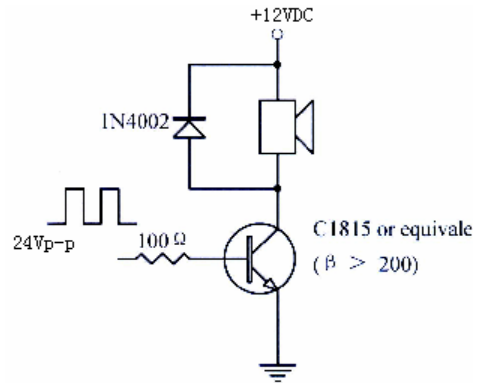
CHARACTERISTICS:



ELECTRICAL SPECIFICATIONS:

Min. Sound Pressure Level at	
12V/2048Hz/10cm.....	85dB(A)
Rated Voltage.....	12V
Operating Voltage.....	9~15V
Max. Consumption at	
2048Hz/24Vp-p Square Wave.....	40mA/12V _{DC}
Resonant Frequency.....	2048Hz
Coil Resistance.....	115±14Ω
Coil Impedance.....	220Ω
Operating Temperature.....	-40~+85 °C
Storage Temperature.....	-40~+85 °C
Case Material.....	PBT
Weight.....	1.7g

TEST CIRCUITS:



PACKING INFORMATION:

Packing: 3000 pcs per export carton
 Carton Size: 47×25×28cm
 G. Weight: 6.6 kgs N. Weight: 5.1 kgs
 Address: Multitrack GmbH, Pfaffenrain 22, 35606 Solms, Germany
 Tel: +49-6442-9220950, Fax: +49-3212-1258768

