



Magnetic Transducer



EMX-8T01P SERIES

Rev.2



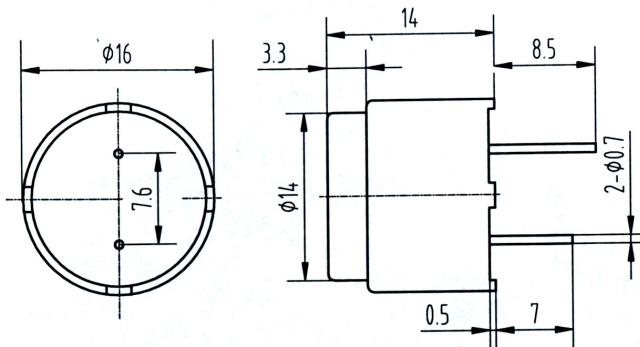
FEATURES:

- Low Current
- Compact
- Rich Sound

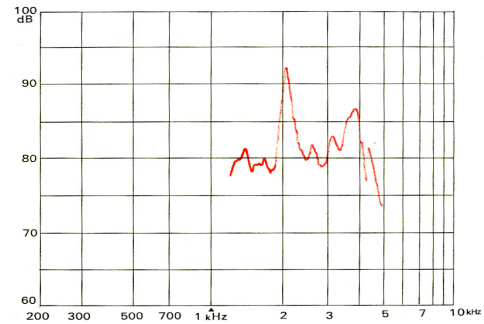
APPLICATIONS:

- Automatic Control Equipment
- Communication Equipment
- Electronic Instruments

DIMENSIONS:(Unit: mm)



CHARACTERISTICS: EMX-8T01P



ELECTRICAL SPECIFICATIONS:

Model No.	EMX-8T01P	EMX-8T06P	EMX-8T12P
Min. Sound Pressure Level (dB)	80/1.5V/10cm	85/6V/10cm	85/12V/10cm
Rated Voltage (V)	1.5	6	12
Operating Voltage (V)	1~ 3	4~8	9~ 15
Max. Consumption (mA)	12	40	
Coil Resistance (Ω)	27±3	50±5	115±5
Coil Impedance (Ω)	80	110	220
Resonant Frequency (Hz)	2048		
Operating Temperature (°C)	-25~ +70		
Storage Temperature (°C)	-30~ +85		
Weight (g)	5		

PACKING INFORMATION:

Packing: 900 pcs per export carton

Carton Size: 47 × 25 × 23 cm

G. Weight: 6 kgs N. Weight: 4.5 kgs

Address: Multitrack GmbH, Pfaffenrain 22, 35606 Solms, Germany

Tel: +49-6442-9220950, Fax: +49-3212-1258768

