



Magnetic Transducer

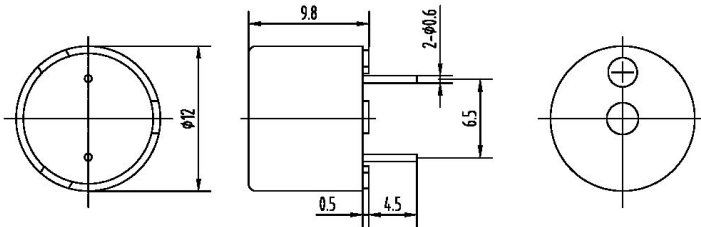
EMX- 7TG05P



Rev.2



DIMENSIONS: (Unit: mm)



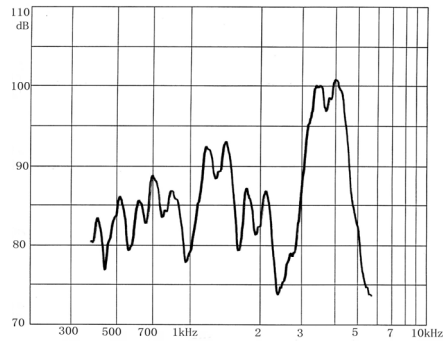
FEATURES:

- Low Frequency
- Low Voltage
- Small and Slim Size

APPLICATIONS:

- Automatic Control Equipment
- Communication Equipment
- Electronic Instruments

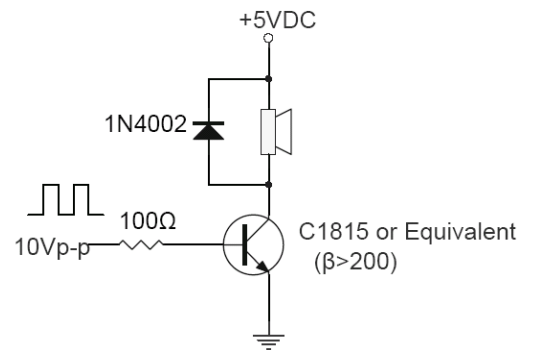
CHARACTERISTICS:



ELECTRICAL SPECIFICATIONS:

Min. Sound Pressure Level at	
5V/4000Hz/10cm.....	85dB(A)
Rated Voltage.....	5V
Input Voltage Range.....	2~15V
Max. Consumption at	
4000Hz/10Vp-p Square Wave.....	80mA/5V _{DC}
Resonant Frequency.....	4000Hz
Coil Resistance.....	45±5Ω
Operating Temperature.....	-20~+70°C
Storage Temperature.....	-30~+80°C
Weight.....	1.7g

TEST CIRCUIT:



PACKING INFORMATION:

Packing: 3000 pcs per export carton
 Carton Size: 47x25x28cm
 G. Weight: 6.6 kgs N. Weight: 5.1 kgs
 Address: Multitrack GmbH, Pfaffenrain 22, 35606 Solms, Germany
 Tel: +49-6442-9220950, Fax: +49-3212-1258768

