



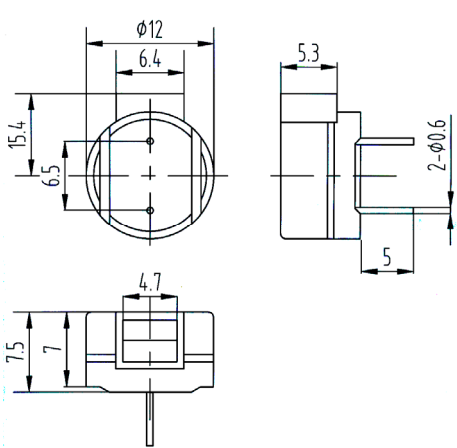
Magnetic Transducer Buzzer

EMX-7TG01P

Rev.2



DIMENSIONS: (Unit: mm)



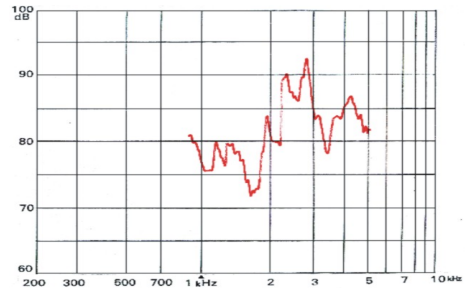
FEATURES:

- Low Frequency
- Low Voltage
- Small and Slim Size

APPLICATIONS:

- Automatic Control Equipment
- Communication Equipment
- Electronic Instruments

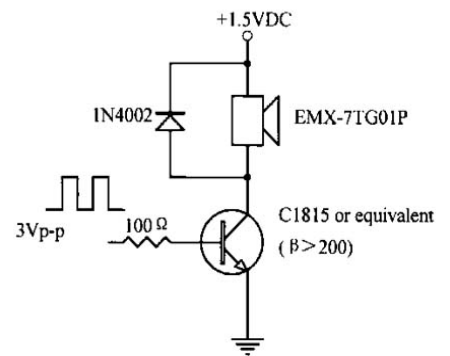
CHARACTERISTICS:



ELECTRICAL SPECIFICATIONS:

Min. Sound Pressure Level at	
1.5V/2731Hz/10cm.....	85dB
Rated Voltage.....	1.5V
Operating Voltage.....	1~2V
Max. Consumption at	
2731Hz/3V _{P-P} Square Wave.....	70mA/1.5V _{DC}
Coil Resistance.....	6.5± 1 Ω
Coil Impedance.....	22 Ω
Resonant Frequency.....	2731Hz
Operating Temperature.....	-20~+60°C
Weight.....	1.7g

TEST CIRCUIT:



PACKING INFORMATION:

Packing: 3000 pcs per export carton
 Carton Size: 47 × 25 × 28 cm
 G. Weight: 6.6 kgs N. Weight: 5.1 kgs
 Address: Multitrack GmbH, Pfaffenrain 22, 35606 Solms, Germany
 Tel: +49-6442-9220950, Fax: +49-3212-1258768

