

Magnetic Transducer

EMX- 7TD05P



Rev.2



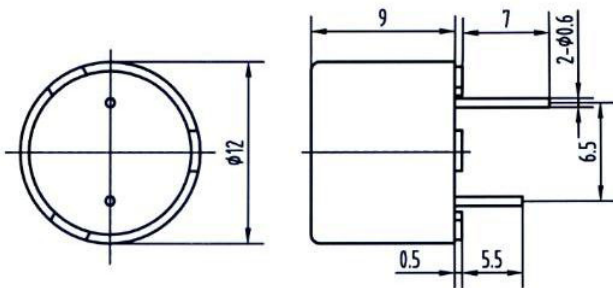
FEATURES:

- Low Frequency
- Low Voltage
- Small and Slim Size

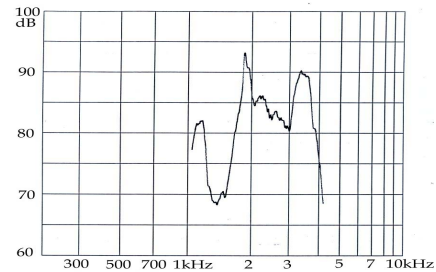
APPLICATIONS:

- Automatic Control Equipment
- Communication Equipment
- Electronic Instruments

DIMENSIONS: (Unit: mm)



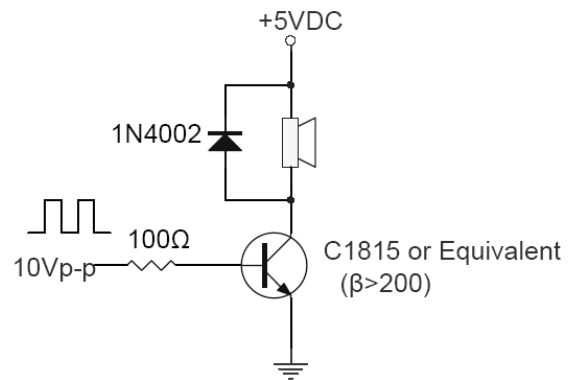
CHARACTERISTICS:



ELECTRICAL SPECIFICATIONS:

<i>Min. Sound Pressure Level at</i>	
5V /2048Hz/10cm.....	83dB(A)
<i>Rated Voltage</i>	5V
<i>Operating Voltage</i>	3~8V
<i>Max. Consumption at</i>	
2048Hz/10V _{P-P} Square Wave	20mA/5V _{DC}
<i>Coil Resistance</i>	110±5Ω
<i>Resonant Frequency</i>	2048Hz
<i>Operating Temperature range</i>	-40~+85°C
<i>Storage Temperature range</i>	-40~+85°C
<i>Weight</i>	1.7g

TEST CIRCUITS:



PACKING INFORMATION:

Packing: 3000 pcs per export carton
 Carton Size: 47x25x28cm
 G. Weight: 6.6 kgs N. Weight: 5.1 kgs
 Address: Multitrack GmbH, Pfaffenrain 22, 35606 Solms, Germany
 Tel: +49-6442-9220950, Fax: +49-3212-1258768

