



Magnetic Transducer

EMX- 7TA05P



Rev.2



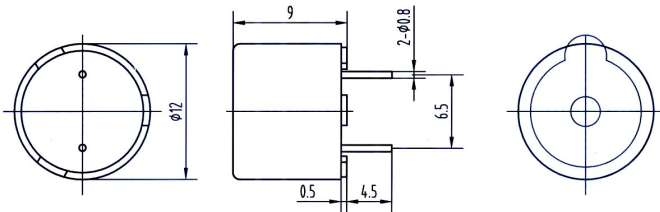
FEATURES:

- Low Frequency
- Low Voltage
- Small and Slim Size

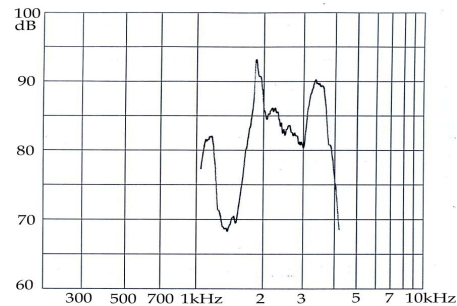
APPLICATIONS:

- Automatic Control Equipment
- Communication Equipment
- Electronic Instruments

DIMENSIONS: (Unit: mm)



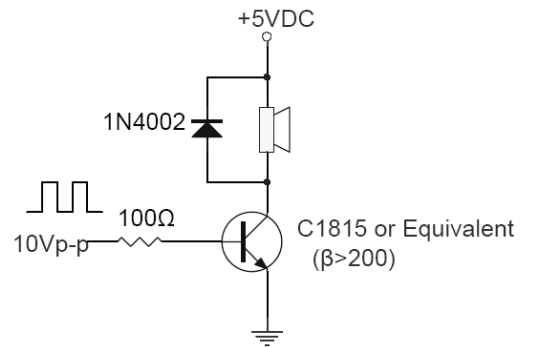
CHARACTERISTICS:



ELECTRICAL SPECIFICATIONS:

Min. Sound Pressure Level at	
5V/1953Hz/10cm.....	80dB(A)
Rated Voltage.....	5V
Operating Voltage.....	3~8V
Max. Consumption at	
1953Hz/10Vp-p Square Wave.....	45mA/5V
Resonant Frequency.....	1953Hz
Coil Resistance.....	47±5Ω
Coil Impedance.....	80Ω
Operating Temperature.....	-20~+70°C
Storage Temperature.....	-40~+85°C
Weight.....	1.7g

TEST CIRCUIT:



PACKING INFORMATION:

Packing: 3000 pcs per export carton
 Carton Size: 47x25x28cm
 G. Weight: 6.6 kgs N. Weight: 5.1 kgs
 Address: Multitrack GmbH, Pfaffenrain 22, 35606 Solms, Germany
 Tel: +49-6442-9220950, Fax: +49-3212-1258768

