



Magnetic Transducer

EMX- 7T12PG



Rev.2



FEATURES:

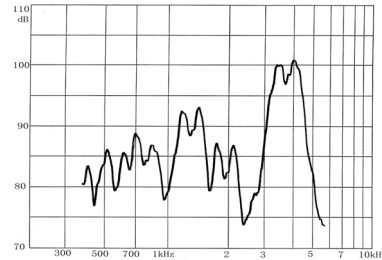
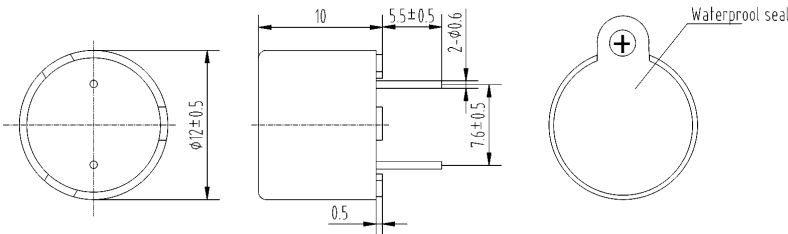
- Low Frequency
- Low Voltage
- Small and Slim Size

APPLICATIONS:

- Automatic Control Equipment
- Communication Equipment
- Electronic Instruments

DIMENSIONS: (Unit: mm)

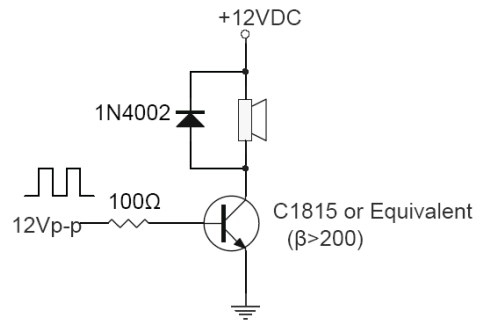
CHARACTERISTICS:



ELECTRICAL SPECIFICATIONS:

TEST CIRCUIT:

Min. Sound Pressure Level at
 12V/4000Hz/10cm.....85dB(A)
 Rated Voltage.....12V
 Operating Voltage.....5~15V
 Max. Consumption at
 4000Hz/12Vp-p Square Wave.....190mA/12V_{DC}
 Resonant Frequency.....4000±250Hz
 Coil Resistance.....16±2Ω
 Operating Temperature.....-20~+70°C
 Storage Temperature.....-30~+80°C
 Case Material.....PPO
 Weight.....1.7g



PACKING INFORMATION:

Packing: 3000 pcs per export carton
 Carton Size: 47x25x28cm
 G. Weight: 6.6 kgs N. Weight: 5.1 kgs
 Address: Multitrack GmbH, Pfaffenrain 22, 35606 Solms, Germany
 Tel: +49-6442-9220950, Fax: +49-3212-1258768

