



### Magnetic Transducer

## EMX-8T06SP

Rev.2



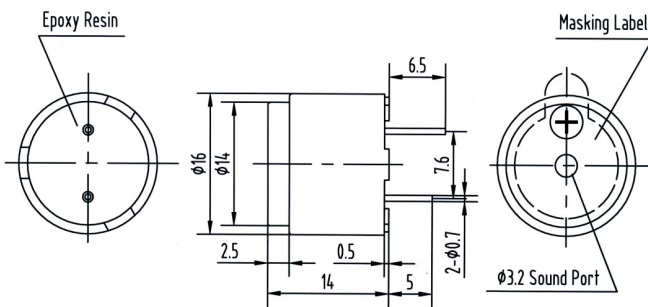
#### FEATURES:

- Low Frequency
- Low Voltage
- Small and slim size

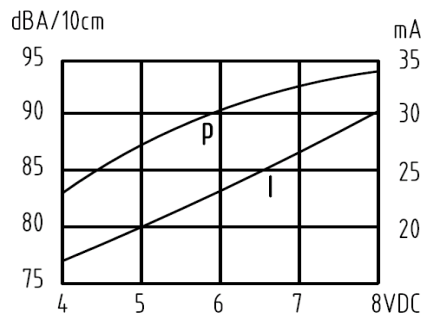
#### APPLICATIONS:

- Automatic Control Equipment
- Communication Equipment
- Electronic Instruments

#### DIMENSIONS: (Unit: mm)



#### CHARACTERISTICS:



#### ELECTRICAL SPECIFICATIONS:

Min. Sound Pressure Level at

6V <sub>DC</sub> /10cm.....	85dB(A)
Rated Voltage.....	6V <sub>DC</sub>
Operating Voltage.....	4~8V <sub>DC</sub>
Max. Consumption.....	30mA/6V <sub>DC</sub>
Oscillating Frequency.....	2200±300Hz
Max. Response time.....	50ms
Operating Temperature.....	-30~+85 °C
Storage Temperature.....	-40~+85 °C
Case Material.....	NORYL
Weight.....	5g

#### PACKING INFORMATION:

Packing: 900 pcs per export carton  
 Carton Size: 47×25×23 cm  
 G. Weight: 6 kgs N. Weight: 4.5 kgs  
 Address: Multitrack GmbH, Pfaffenrain 22, 35606 Solms, Germany  
 Tel: +49-6442-9220950, Fax: +49-3212-1258768

